

FnIO S-Series: NA-9171, NA-9173

MODBUS Adapter

NA-9171(RS232)

NA-9173(RS485)

DRAFT

DOCUMENT CHANGE SUMMARY				
REV.	PAGES	REMARKS	DATE	Editor
N/A	New Document	First Preliminary	2005/03/23	Go, Samsug
Draft Rev A		Draft release	2005/04/07	Go, Samsug
Draft Rev B			2005/07/20	Go, Samsug
Draft Rev C			2005/07/30	Go, Samsug
Draft Rev D				
Draft Rev E		Adding address 0x1022 (Watchdog error counter) & address 0x1023 (Enable Auto Recovery Watchdog Error) Firmware Rev1004_T1	Sep.2,2008	Go, Samsug

Table of Contents

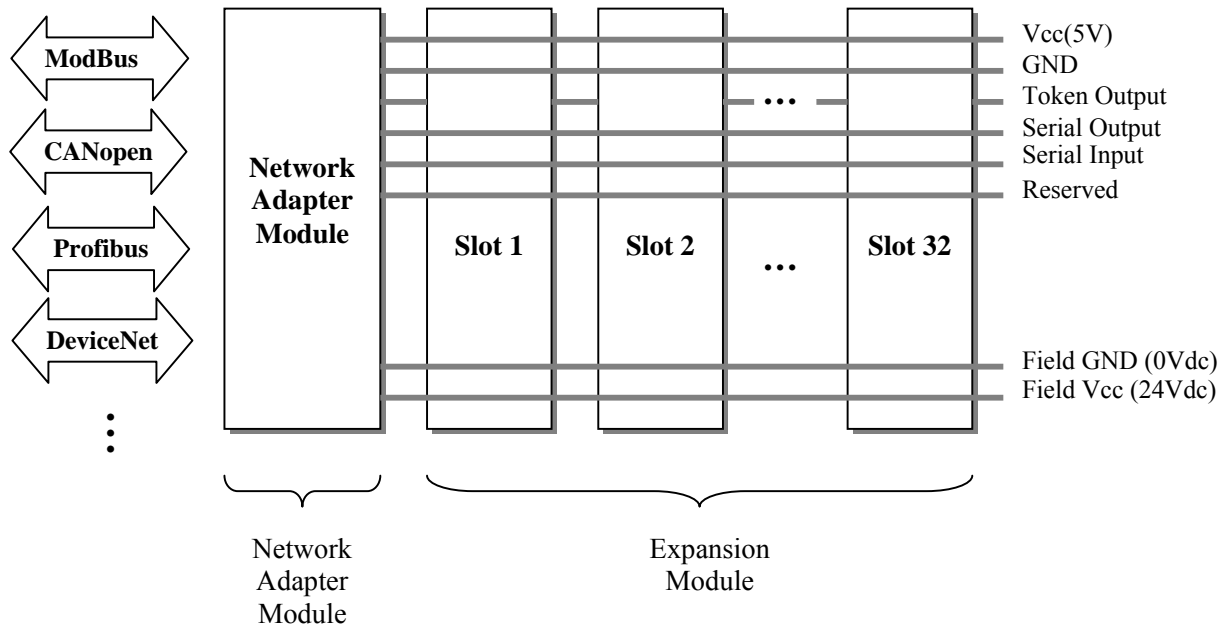
1.	FNBUS OVERVIEW	6
1.1.	FNBUS SYSTEM	6
1.2.	FNBUS PIN DESCRIPTION	7
2.	MODBUS ADAPTER MODULE	8
2.1.	SHAPE.....	8
2.2.	MODBUS ADAPTER SPECIFICATION	9
2.3.	LED INDICATOR	10
2.3.1.	Module Status LED (MOD)	10
2.3.2.	Received Data LED (RXD).....	10
2.3.3.	Transmit Data LED (TXD)	10
2.3.4.	Expansion Module Status LED (I/O)	10
2.3.5.	Field Power Status LED	11
2.3.6.	MODBUS Electrical Interface.....	12
2.3.7.	MODBUS DIP Switch Setup	13
2.3.8.	MODBUS Address Setup.....	14
2.4.	I/O PROCESS IMAGE MAP	15
2.4.1.	MODBUS Interface Register/Bit Map	15
2.4.2.	Example of Input Process Image(Input Register) Map	16
2.4.3.	Example of Output Process Image(Output Register) Map	18
3.	MODBUS INTERFACE.....	20
3.1.	MODBUS TRANSMISSION MODE	20
3.1.1.	RTU Transmission Mode	20
3.1.2.	ASCII Transmission Mode.....	20
3.2.	SUPPORTED MODBUS FUNCTION CODES	20
3.2.1.	1 (0x01) Read Coils.....	21
3.2.2.	2 (0x02) Read Discrete Inputs	21
3.2.3.	3 (0x03) Read Holding Registers	22
3.2.4.	4 (0x04) Read Input Registers	23
3.2.5.	5 (0x05) Write Single Coil	23
3.2.6.	6 (0x06) Write Single Register	24
3.2.7.	8 (0x08) Diagnostics	24
3.2.8.	15 (0x0F) Write Multiple Coils	26
3.2.9.	16 (0x10) Write Multiple registers	27
3.2.10.	23 (0x17) Read/Write Multiple registers.....	28
3.2.11.	Error Response.....	29
3.3.	MODBUS SPECIAL REGISTER MAP.....	30
3.3.1.	Adapter Identification Special Register (0x1000, 4096)	30
3.3.2.	Adapter Watchdog Time, other Time Special Register (0x1020, 4128)	30
3.3.3.	Adapter Information Special Register (0x1100, 4352).....	31
3.3.4.	Expansion Slot Information Special Register (0x2000, 8192)	32
■	Table 3.3.1. IO Data Code Format (1word).....	33
3.4.	MODBUS REFERENCE	34
APPENDIX A	35
A.1.	PRODUCT LIST	35
A.2.	CONFIGURATION PARAMETER.....	37
A.2.1.	ST-1214 (4-sinking input, 24Vdc)	37
A.2.2.	ST-1224 (4-sourcing input, 24Vdc)	37

A.2.3.	ST-1218 (8-sinking input, 24Vdc)	37
A.2.4.	ST-1228 (8-sourcing input, 24Vdc)	37
A.2.5.	ST-121F (16-sinking input, 24Vdc)	37
A.2.6.	ST-122F (16-sourcing input, 24Vdc)	37
A.2.7.	ST-1314 (4-sinking input, 48Vdc)	37
A.2.8.	ST-1324 (4-sourcing input, 48Vdc)	37
A.2.9.	ST-1804 (4-ac input, 110Vac)	37
A.2.10.	ST-1904 (4-ac input, 220Vac)	37
A.2.11.	ST-2314 (4-sinking output, 24Vdc 0.5A)	38
A.2.12.	ST-2324 (4-sourcing output, 24Vdc 0.5A)	38
A.2.13.	ST-2318 (8-sinking output, 24Vdc 0.5A)	38
A.2.14.	ST-2328 (8-sourcing output, 24Vdc 0.5A)	39
A.2.15.	ST-221F (16-sinking output, 24Vdc 0.3A)	39
A.2.16.	ST-222F (16-sourcing output, 24Vdc 0.3A)	39
A.2.17.	ST-2414 (4-sinking output, Diag, 24Vdc 0.5A)	40
A.2.18.	ST-2424 (4-sourcing output, Diag, 24Vdc 0.5A)	40
A.2.19.	ST-2514 (4-sinking output, Diag, 24Vdc 2A)	40
A.2.20.	ST-2524 (4-sourcing output, Diag, 24Vdc 2A)	41
A.2.21.	ST-2742 (2-relay output, 230Vac 2A)	41
A.2.22.	ST-2852 (2-triac output, 120Vac 0.5A)	41
A.2.23.	ST-3114 (4-current analog input, 0~20mA, 12bit)	42
A.2.24.	ST-3134 (4-current analog input, 0~20mA, 14bit)	42
A.2.25.	ST-3214 (4-current analog input, 4~20mA, 12bit)	42
A.2.26.	ST-3234 (4-current analog input, 4~20mA, 14bit)	42
A.2.27.	ST-3424 (4-voltage analog input, 0~10V, 12bit)	42
A.2.28.	ST-3444 (4-voltage analog input, 0~10V, 14bit)	42
A.2.29.	ST-3524 (4-voltage analog input, -10~10V, 12bit)	42
A.2.30.	ST-3544 (4-voltage analog input, -10~10V, 14bit)	42
A.2.31.	ST-3624 (4-voltage analog input, 0~5V, 12bit)	42
A.2.32.	ST-3644 (4-voltage analog input, 0~5V, 14bit)	42
A.2.33.	ST-3702 (2- RTD/Resistance input)	43
A.2.34.	ST-3802 (2- Thermocouple/mV input)	44
A.2.35.	ST-4112 (2-current analog output, 0~20mA, 12bit)	45
A.2.36.	ST-4212 (2-current analog output, 4~20mA, 12bit)	45
A.2.37.	ST-4422 (2-voltage analog output, 0~10Vdc, 12bit)	45
A.2.38.	ST-4522 (2-voltage analog output, -10~10Vdc, 12bit)	45
A.2.39.	ST-4622 (2-voltage analog output, 0~5Vdc, 12bit)	45
A.2.40.	ST-5101 (1 Channel High Speed Counter 5Vdc)	45
A.2.41.	ST-5111 (1 Channel High Speed Counter 24Vdc)	45
A.3.	MEMORY REGISTER	46
A.3.1.	ST-1214 (4-sinking input, 24Vdc)	46
A.3.2.	ST-1224 (4-sourcing input, 24Vdc)	46
A.3.3.	ST-1218 (8-sinking input, 24Vdc)	46
A.3.4.	ST-1228 (8-sourcing input, 24Vdc)	46
A.3.5.	ST-121F (16-sinking input, 24Vdc)	46
A.3.6.	ST-122F (16-sourcing input, 24Vdc)	46
A.3.7.	ST-1314 (4-sinking input, 48Vdc)	46
A.3.8.	ST-1324 (4-sourcing input, 48Vdc)	46
A.3.9.	ST-1804 (4-ac input, 110Vac)	46
A.3.10.	ST-1904 (4-ac input, 220Vac)	46
A.3.11.	ST-2314 (4-sinking output, 24Vdc 0.5A)	46
A.3.12.	ST-2324 (4-sourcing output, 24Vdc 0.5A)	47
A.3.13.	ST-2318 (8-sinking output, 24Vdc 0.5A)	47
A.3.14.	ST-2328 (8-sourcing output, 24Vdc 0.5A)	47
A.3.15.	ST-221F (16-sinking output, 24Vdc 0.1A)	47

A.3.16.	ST-222F (16-sourcing output, 24Vdc 0.1A)	47
A.3.17.	ST-2414 (4-sinking output, Diag, 24Vdc 0.5A).....	47
A.3.18.	ST-2424 (4-sourcing output, Diag, 24Vdc 0.5A).....	47
A.3.19.	ST-2514 (4-sinking output, Diag, 24Vdc 2A).....	47
A.3.20.	ST-2524 (4-sourcing output, Diag, 24Vdc 2A).....	47
A.3.21.	ST-2742 (2-relay output, 230Vac 2A)	47
A.3.22.	ST-2852 (2-triac output, 120Vac 0.5A)	47
A.3.23.	ST-3114 (4-current analog input, 0~20mA, 12bit)	48
A.3.24.	ST-3134 (4-current analog input, 0~20mA, 14bit)	48
A.3.25.	ST-3214 (4-current analog input, 4~20mA, 12bit)	49
A.3.26.	ST-3234 (4-current analog input, 4~20mA, 14bit)	49
A.3.27.	ST-3424 (4-voltage analog input, 0~10V, 12bit).....	50
A.3.28.	ST-3444 (4-voltage analog input, 0~10V, 14bit).....	50
A.3.29.	ST-3524 (4-voltage analog input, -10~10V, 12bit).....	51
A.3.30.	ST-3544 (4-voltage analog input, -10~10V, 14bit).....	51
A.3.31.	ST-3624 (4-voltage analog input, 0~5V, 12bit).....	52
A.3.32.	ST-3644 (4-voltage analog input, 0~5V, 14bit).....	52
A.3.33.	ST-3702 (2- RTD/Resistance input)	53
A.3.34.	ST-3802 (2- Thermocouple/mV input)	53
A.3.35.	ST-4112 (2-current analog output, 0~20mA, 12bit)	54
A.3.36.	ST-4212 (2-current analog output, 4~20mA, 12bit)	54
A.3.37.	ST-4422 (2-voltage analog output, 0~10Vdc, 12bit)	55
A.3.38.	ST-4522 (2-voltage analog output, -10~10Vdc, 12bit).....	55
A.3.39.	ST-4622 (2-voltage analog output, 0~5Vdc, 12bit)	56
A.3.40.	ST-5101 (1 Channel High Speed Counter 5Vdc).....	56
A.3.41.	ST-5111 (1 Channel High Speed Counter 24Vdc).....	56

1. FNBUS OVERVIEW

1.1. FnBus System



Network Adapter Module

The Network Adapter Module forms the link between the fieldbus and the field devices with the Expansion Modules. The connection to different fieldbus systems can be established by each of the corresponding Network Adapter Module, e.g. for SynqNet, PROFIBUS, CANopen, DeviceNet, Ethernet/IP, CC-Link, MODBUS/Serial, MODBUS/TCP etc.

Expansion Module

The Expansion Modules are supported a variety of input and output field devices. There are digital and analog input/output modules and special function modules.

Two types of FnBus Message

- Service Messaging
- I/O Messaging

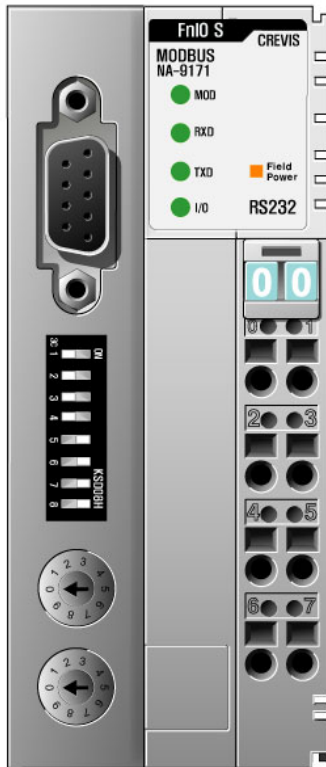
1.2. FnBus Pin Description

No.	Name	Description
1	Vcc	System supply voltage (5V dc).
2	GND	System Ground.
3	Token Output	Token output port of Processor module.
4	Serial Output	Transmitter output port of Processor module.
5	Serial Input	Receiver input port of Processor module.
6	Reserved	Reserved for bypass Token.
7	Field GND	Field Ground.
8	Field Vcc	Field supply voltage (24Vdc).

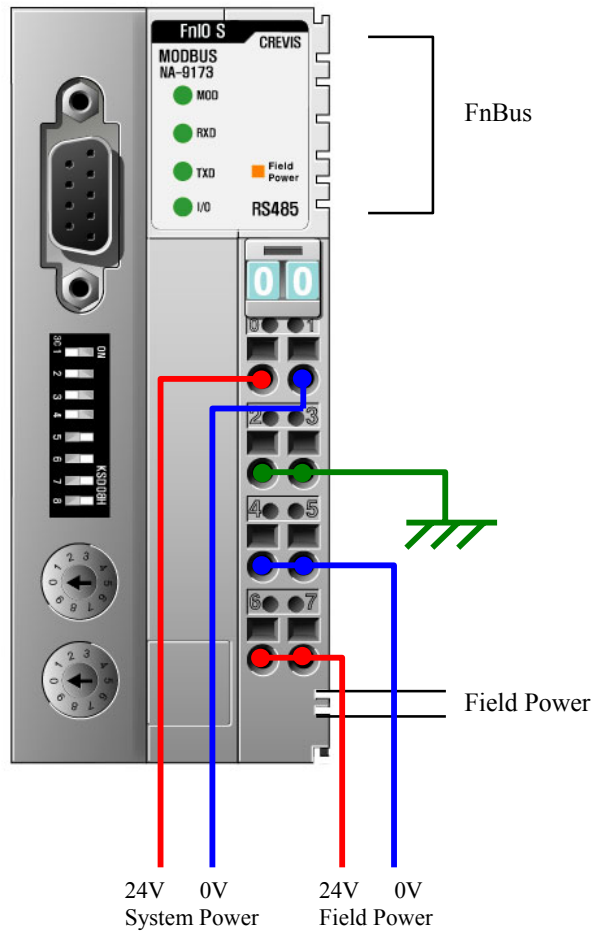
2. MODBUS ADAPTER MODULE

2.1. Shape

NA-9171 (RS232)



NA-9173 (RS485)



2.2. MODBUS Adapter Specification

■ Specification

Interface Specification, NA-9171(RS232), NA-9173(RS485)	
Adapter Type	Slave node (MODBUS Serial RTU/ASCII Server)
Max. Expansion Module	32 slots
Max. Input Size	129words (252bytes)
Max. Output Size	129words (252bytes)
Max. Length Bus Line	1200m(NA-9173,RS485, depend on baud rate), 15m(NA-9171,RS232)
Max. Nodes	32 nodes(NA-9173,RS485), 1 node(NA9171,RS232)
Baud rate	1200, 2400, 4800, 9600, 19200, 38400, 57600, 115200bps
Protocol	RTU and ASCII
Interface Connector	Dsub 9pin (Female)
Settable Node Address	1~99 with two rotary switches
Indicator	5 LEDs 1 Green/Red, Module Status (MOD) 1 Green, Received Data (RXD) 1 Green, Transmit Data (TXD) 1 Green/Red Expansion Module Status (I/O) 1 Green, Field Power Status
Module Location	Starter module – left side of FnIO system
Field Power Detection	About 11Vdc
General Specification	
System Power	Supply voltage : 24Vdc nominal Supply voltage range : 11~28.8Vdc Protection : Output current limit(Min. 1.5A) Reverse polarity protection
Power Dissipation	70mA typical @24Vdc
Current for I/O Module	1.5A @5Vdc
Isolation	System power to internal logic : Non-isolation System power to I/O driver : Isolation
Field Power	Supply voltage : 24Vdc nominal Supply voltage range : 11~28.8Vdc
Max. Current Field Power Contact	DC 10A Max.
Weight	150g
Module Size	45mm x 99mm x 70mm
Environment Condition	Refer to Environment Specification

2.3. LED Indicator

2.3.1. Module Status LED (MOD)

State	LED is:	To indicate:
No Power	Off	No power is supplied to the unit.
Device Operational	Green	The unit is operating in normal condition.
Device in Standby	Flashing Green	The device needs commissioning due to configuration missing, incomplete or incorrect.
MODBUS Error	Green/Red Toggle	MODBUS error such as watchdog error, CRC/LRC error, Setup dip switch, error, etc.
Minor Fault	Flashing Red	Recoverable Fault - EEPROM sum check error.
Unrecoverable Fault	Red	The device has an unrecoverable fault. - Memory error or CPU watchdog error.

2.3.2. Received Data LED (RXD)

State	LED is :	To indicate :
Not Powered	Off	Device is idle or may not be powered
Adapter received correct message frame	Green Flashing	Adapter(Slave) received correct frame which address to the slave or broadcast. About 20msec flashing.

2.3.3. Transmit Data LED (TXD)

State	LED is :	To indicate :
Not Powered	Off	Device is idle or may not be powered
Adapter transmit frame	Green Flashing	Adapter(Slave) transmit frame. About 20msec flashing.

2.3.4. Expansion Module Status LED (I/O)

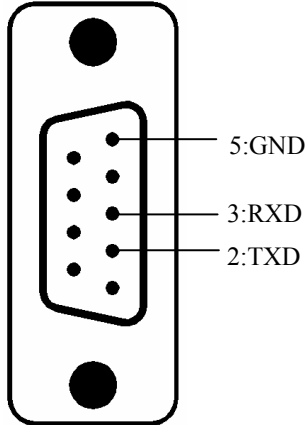
State	LED is :	To indicate :
Not Powered No Expansion Module	Off	Device has no expansion module or may not be powered
FnBus On-line, Do not Exchanging I/O	Flashing Green	FnBus is normal but does not exchanging I/O data (Passed the expansion module configuration).
FnBus Connection, Run Exchanging IO	Green	Exchanging I/O data
Expansion Configuration Failed	Flashing Red	Failed to initialize expansion module - Detected invalid expansion module ID. - Overflowed Input/Output Size - Too many expansion module - Initial protocol failure - Mismatch vendor code between adapter and expansion module.
FnBus connection fault during exchanging IO	Red	One or more expansion module occurred in fault state. - Changed expansion module configuration. - FnBus communication failure.

2.3.5. Field Power Status LED

State	LED is :	To indicate :
Not Supplied Field Power	Off	Not supplied 24V dc field power
Supplied Field Power	Green	Supplied 24V dc field power

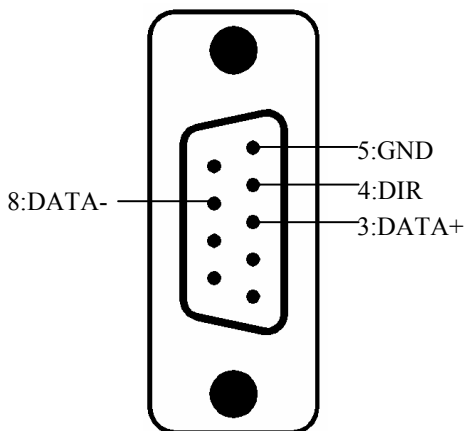
2.3.6. MODBUS Electrical Interface

■ NA-9171(RS232)

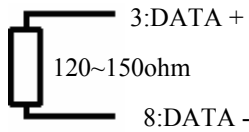


Dsub9 (Female)	Signal Name	Description
1	----	
2	TXD	Output, Transmitted Data
3	RXD	Input, Received Data
4	----	
5	GND	Signal Common
6	----	
7	----	
8	----	
9	----	

■ NA-9173(RS485)



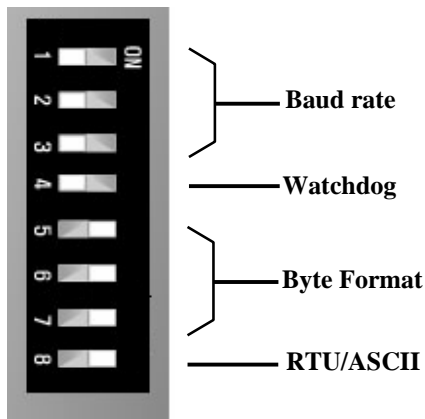
Dsub9 (Female)	Signal Name	Description
1	----	
2	----	
3	DATA +	In/Out, Transceiver Data High
4	DIR	TTL Out Transceiver Direction High : Transmit Data Low : Receive Data
5	GND	Signal Common
6	----	
7	----	
8	DATA -	In/Out, Transceiver Data Low
9	----	



A reflection in a transmission line is the result of an impedance discontinuity that a traveling wave sees as it propagates down the line. To minimize the reflections from the end of the RS485-cable it is required to place a Line Termination near each of the 2 Ends of the Bus.

2.3.7. MODBUS DIP Switch Setup

MODBUS Adapter interface configuration can be set by a DIP(8pole) switch. This setup read once at power-up sequence, i.e. changes to DIP switch during operation does not affect MODBUS interface configuration.



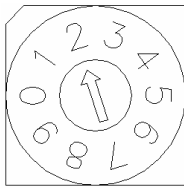
Item	Item setup	DIP Switch							
		#1	#2	#3	#4	#5	#6	#7	#8
Baud rate	1200 bps	OFF	OFF	OFF					
	2400 bps	ON	OFF	OFF					
	4800 bps	OFF	ON	OFF					
	9600 bps	ON	ON	OFF					
	19200 bps	OFF	OFF	ON					
	38400 bps	ON	OFF	ON					
	57600 bps	OFF	ON	ON					
	115200 bps	ON	ON	ON					
Watchdog	Disable Watchdog				OFF				
	Enable Watchdog				ON				
Byte Format	8bit, No Party, 1Stop					OFF	OFF	OFF	
	8bit, Even Party, 1Stop					ON	OFF	OFF	
	8bit, Odd Party, 1Stop					OFF	ON	OFF	
	8bit, No Party, 2Stop					ON	ON	OFF	
	7bit, No Party, 2Stop *					OFF	OFF	ON	
	7bit, Even Party, 1Stop *					ON	OFF	ON	
	7bit, Odd Party, 1Stop *					OFF	ON	ON	

	8bit, No Parity, 1Stop					ON	ON	ON	
RTU/ASCII Mode	RTU Mode								OFF
	ASCII Mode								ON

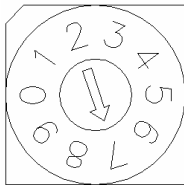
* ASCII Mode is only available

2.3.8. MODBUS Address Setup

Each MODBUS Adapter could have an unique address (from 1 to 99) so that it can be addressed independently from other nodes. The address 0 is reserved to identify a broadcast exchange. No response is returned to broadcast requests sent by the master.



X 10 (MSD)

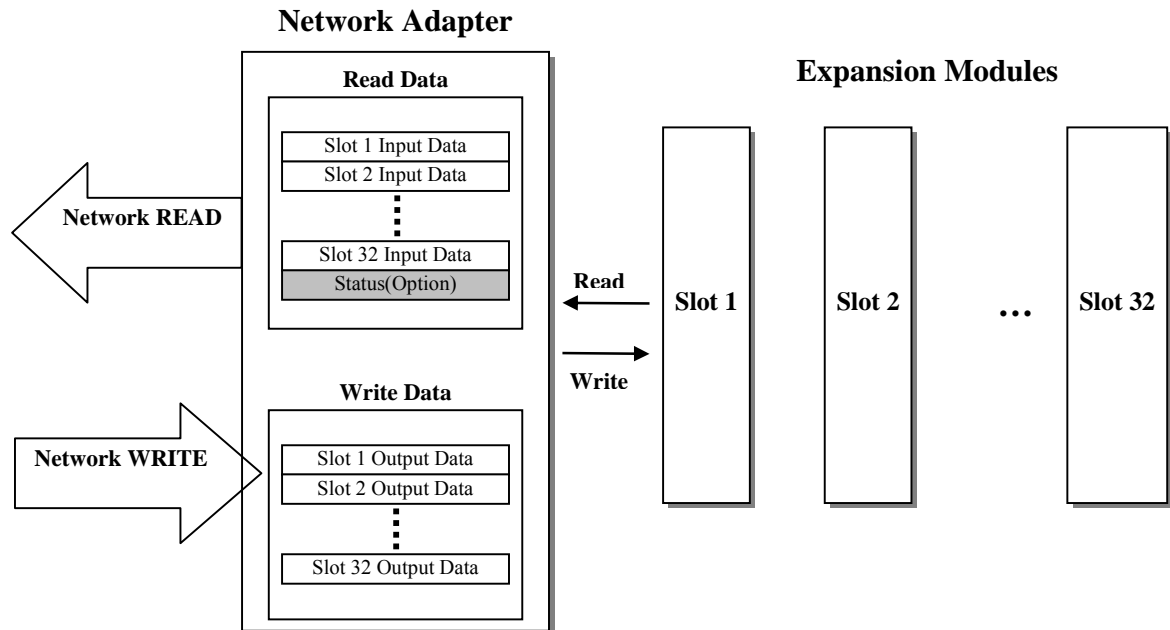


X 1 (LSD)

The above figure shows address 27(=2*10 + 7*1) of a slave node

2.4. I/O Process Image Map

An expansion module may have 3 types of data as I/O data, configuration parameter and memory register. The data exchange between network adapter and expansion modules is done via an I/O process image data by FnBus protocol. The following figure shows the data flow of process image between network adapter and expansion modules.



2.4.1. MODBUS Interface Register/Bit Map

Register Map

Start Address	Read/Write	Description	Func. Code
0x0000 ~	Read	Process input image registers (Real Input Register)	4,23
0x0800 ~	Read/Write	Process output image registers (Real Output Register)	3,16,23
0x1000 *	Read	Adapter Identification special registers.	3,4,23
0x1020 *	Read/Write	Adapter Watchdog, other time special register.	3,4,6,16,23
0x1100 *	Read/Write	Adapter Information special registers.	3,4,6,16,23
0x2000 *	Read/Write	Expansion Slot Information special registers.	3,4,6,16,23

* The special register map must be accessed by read/write of every each address (one address).

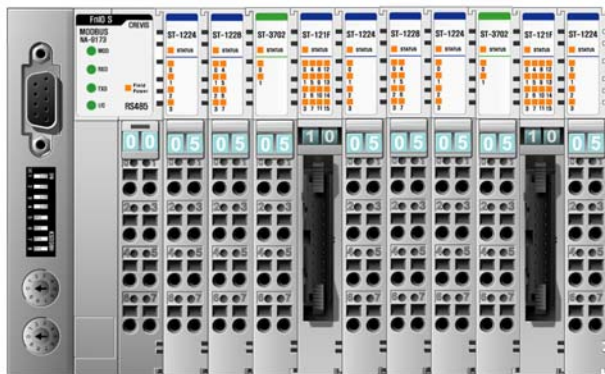
Bit Map

Start Address	Read/Write	Description	Func. Code
0x0000~	Read	Process input image bits All input registers area are addressable by bit address. Size of input image bit is size of input image register * 16.	2
0x1000~	Read/Write	Process output image bits All output registers area are addressable by bit address. Size of output image bit is size of output image register * 16.	1,5,15

2.4.2. Example of Input Process Image(Input Register) Map

Input image data depends on slot position and expansion slot data type. Input process image data is only ordered by expansion slot position when input image mode is uncompressed (mode 0, 2). But, when input image mode is compressed (mode 1, 3), input process image data is ordered by expansion slot position and slot data type. Input process image mode can be set by special register 0x1114(4372). Refer to 3.3.3.

■ For example slot configuration



Slot Address	Module Description
#0	MODBUS Adapter
#1	4-discrete input
#2	8-discrete input
#3	2-analog input
#4	16-discrete input
#5	4-discrete input
#6	8-discrete input
#7	4-discrete input
#8	2-analog input
#9	16-discrete input
#10	4-discrete input

Status
(1 word)

■ Input Process Image Mode#0 (Status(1 word) + Uncompressed Input Processing Data)

Addr.	#15	#14	#13	#12	#11	#10	#9	#8	#7	#6	#5	#4	#3	#2	#1	#0
0x0000	EW	EC	0	0	0	0	0	ES	FP	FnBus Status						
0x0001	Discrete In 8pts (Slot#2)								Empty, Always 0			Discrete In 4pts (Slot#1)				
0x0002	Analog Input Ch0 high byte (Slot#3)								Analog Input Ch0 low byte (Slot#3)							
0x0003	Analog Input Ch1 high byte (Slot#3)								Analog Input Ch1 low byte (Slot#3)							
0x0004	Discrete In high 8pts (Slot#4)								Discrete In low 8pts (Slot#4)							
0x0005	Discrete In 8pts (Slot#6)								Empty, Always 0			Discrete In 4pts (Slot#5)				
0x0006	Analog Input Ch0 low byte (Slot#8)								Empty, Always 0			Discrete In 4pts (Slot#7)				
0x0007	Analog Input Ch1 low byte (Slot#8)								Analog Input Ch0 high byte (Slot#8)							
0x0008	Discrete In low 8pts (Slot#9)								Analog Input Ch1 high byte (Slot#8)							
0x0009	Empty, Always 0				Discrete In 4pts (Slot#10)				Discrete In high 8pts (Slot#9)							

- FnBus Status:
 - 0: Normal Operation
 - 1: FnBus Standby
 - 2: FnBus Communication Fault
 - 3: Slot Configuration Failed
 - 4: No Expansion Slot
- FP (Field Power)
 - 0: 24Vdc Field Power On.
 - 1: 24Vdc Field Power Off
- ES (MODBUS Error Setup)
 - 0: No Error Setup
 - 1: Error Setup
- EC (MODBUS Error Check)
 - 0: No Error CRC/LRC
 - 1: Error CRC/LRC three times more sequentially since its last restart, clear counters operation, or power-up.
- EW (MODBUS Error Watchdog)
 - 0: No Error Watchdog
 - 1: Error Watchdog once more since its last restart, clear counters operation, or power-up.

Status
(1word)

■ **Input Process Image Mode#1** (Status(1word) + Compressed Input Processing Data)

Addr.	#15	#14	#13	#12	#11	#10	#9	#8	#7	#6	#5	#4	#3	#2	#1	#0
0x0000	EW	EC	0	0	0	0	0	ES	FP	FnBus Status						
0x0001	Analog Input Ch0 high byte (Slot#3)							Analog Input Ch0 low byte (Slot#3)								
0x0002	Analog Input Ch1 high byte (Slot#3)							Analog Input Ch1 low byte (Slot#3)								
0x0003	Analog Input Ch0 high byte (Slot#8)							Analog Input Ch0 low byte (Slot#8)								
0x0004	Analog Input Ch1 high byte (Slot#8)							Analog Input Ch1 low byte (Slot#8)								
0x0005	Discrete In low 8pts (Slot#4)							Discrete In 8pts (Slot#2)								
0x0006	Discrete In 8pts (Slot#6)							Discrete In high 8pts (Slot#4)								
0x0007	Discrete In high 8pts (Slot#9)							Discrete In low 8pts (Slot#9)								
0x0008	Discrete In 4pts (Slot#10)			Discrete In 4pts (Slot#7)				Discrete In 4pts (Slot#5)			Discrete In 4pts (Slot#1)					

- Input Assembly Priority:
 - 1) Analog Input Data (Word type)
 - 2) 8 or 16 points Discrete Input Data (Byte type)
 - 3) 4 points Input Data (Bit type)
 - 4) 2 points Input Data (Bit type)

■ **Input Process Image Mode#2** (Uncompressed Input Processing Data without Status), **default input image**

Addr.	#15	#14	#13	#12	#11	#10	#9	#8	#7	#6	#5	#4	#3	#2	#1	#0
0x0000	Discrete In 8pts (Slot#2)							Always 0			Discrete In 4pts (Slot#1)					
0x0001	Analog Input Ch0 high byte (Slot#3)							Analog Input Ch0 low byte (Slot#3)								
0x0002	Analog Input Ch1 high byte (Slot#3)							Analog Input Ch1 low byte (Slot#3)								
0x0003	Discrete In high 8pts (Slot#4)							Discrete In low 8pts (Slot#4)								
0x0004	Discrete In 8pts (Slot#6)							Empty, Always 0			Discrete In 4pts (Slot#5)					
0x0005	Analog Input Ch0 low byte (Slot#8)							Empty, Always 0			Discrete In 4pts (Slot#7)					
0x0006	Analog Input Ch1 low byte (Slot#8)							Analog Input Ch0 high byte (Slot#8)								
0x0007	Discrete In low 8pts (Slot#9)							Analog Input Ch1 high byte (Slot#8)								
0x0008	Empty, Always 0			Discrete In 4pts (Slot#10)				Discrete In high 8pts (Slot#9)								

■ **Input Process Image Mode#3** (Compressed Input Processing Data without Status)

Addr.	#15	#14	#13	#12	#11	#10	#9	#8	#7	#6	#5	#4	#3	#2	#1	#0
0x0000	Analog Input Ch0 high byte (Slot#3)							Analog Input Ch0 low byte (Slot#3)								
0x0001	Analog Input Ch1 high byte (Slot#3)							Analog Input Ch1 low byte (Slot#3)								
0x0002	Analog Input Ch0 high byte (Slot#8)							Analog Input Ch0 low byte (Slot#8)								
0x0003	Analog Input Ch1 high byte (Slot#8)							Analog Input Ch1 low byte (Slot#8)								
0x0004	Discrete In low 8pts (Slot#4)							Discrete In 8pts (Slot#2)								
0x0005	Discrete In 8pts (Slot#6)							Discrete In high 8pts (Slot#4)								
0x0006	Discrete In high 8pts (Slot#9)							Discrete In low 8pts (Slot#9)								
0x0007	Discrete In 4pts (Slot#10)			Discrete In 4pts (Slot#7)				Discrete In 4pts (Slot#5)			Discrete In 4pts (Slot#1)					

- * FnBus uses the byte-oriented register mapping.
- * Size of input image bit is size of input image register * 16.

- Input Assembly Priority:
 - 1) Analog Input Data (Word type)
 - 2) 8 or 16 points Discrete Input Data (Byte type)
 - 3) 4 points Input Data (Bit type)
 - 4) 2 points Input Data (Bit type)

2.4.3. Example of Output Process Image(Output Register) Map

Output image data depends on slot position and expansion slot data type. Output process image data is only ordered by expansion slot position when output image mode is uncompressed (mode 0). But, when output image mode is compressed (mode 1), output process image data is ordered by expansion slot position and slot data type. Output process image mode can be set by special register 0x1115(4373). Refer to 3.3.3.

■ For example slot configuration



Slot Address	Module Description
#0	MODBUS Adapter
#1	4-discrete output
#2	8-discrete output
#3	2-analog output
#4	16-discrete output
#5	4-discrete output
#6	8-discrete output
#7	2-realy output
#8	2-realy output
#9	2-analog output
#10	16-discrete output
#11	4-discrete output

■ Output Process Image Mode#0 (Uncompressed Output Processing Data), **default output image**

Addr.	#15	#14	#13	#12	#11	#10	#9	#8	#7	#6	#5	#4	#3	#2	#1	#0
0x0800	Discrete Out 8pts (Slot#2)						Empty, Don't care				Discrete Out 4pts(Slot#1)					
0x0801	Analog Output Ch0 high byte (Slot#3)						Analog Output Ch0 low byte (Slot#3)									
0x0802	Analog Output Ch1 high byte (Slot#3)						Analog Output Ch1 low byte (Slot#3)									
0x0803	Discrete Out high 8pts (Slot#4)						Discrete Out low 8pts (Slot#4)									
0x0804	Discrete Out 8pts (Slot#6)						Empty, Don't care				Discrete Out 4pts(Slot#5)					
0x0805	Empty, Don't care						Discrete Out 2pts (Slot#8)		Empty, Don't care						Discrete Out 2pts (Slot#7)	
0x0806	Analog Output Ch0 high byte (Slot#9)						Analog Output Ch0 low byte (Slot#9)									
0x0807	Analog Output Ch1 high byte (Slot#9)						Analog Output Ch1 low byte (Slot#9)									
0x0808	Discrete Output high 8pts (Slot#10)						Discrete Output low 8pts (Slot#10)									
0x0809	Empty, Don't care						Empty, Don't care				Discrete Out 4pts(Slot#11)					

■ Output Process Image Mode#1 (Compressed Output Processing Data)

Addr.	#15	#14	#13	#12	#11	#10	#9	#8	#7	#6	#5	#4	#3	#2	#1	#0
0x0800	Analog Output Ch0 high byte (Slot#3)						Analog Output Ch0 low byte (Slot#3)									
0x0801	Analog Output Ch1 high byte (Slot#3)						Analog Output Ch1 low byte (Slot#3)									
0x0802	Analog Output Ch0 high byte (Slot#9)						Analog Output Ch0 low byte (Slot#9)									
0x0803	Analog Output Ch1 high byte (Slot#9)						Analog Output Ch1 low byte (Slot#9)									
0x0804	Discrete Output low 8 pts (Slot#4)						Discrete Out 8pts (Slot#2)									
0x0805	Discrete Out 8pts (Slot#6)						Discrete Out high 8pts (Slot#4)									
0x0806	Discrete Out high 8pts (Slot#10)						Discrete Out low 8pts (Slot#10)									
0x0807	Discrete Out 2pts (Slot#8)		Discrete Out 2pts (Slot#7)		Discrete Out 4pts (Slot#11)			Discrete Out 4pts (Slot#5)			Discrete Out 4pts (Slot#1)					

- * FnBus uses the byte-oriented register mapping.
- * Size of output image bit is size of output image register * 16.
- Output Assembly Priority:
 - 1) Analog Output Data (Word type)
 - 2) 8 or 16 points Discrete Output Data (Byte type)
 - 3) 4 points Output Data (Bit type)
 - 4) 2 points Output Data (Bit type)

3. MODBUS INTERFACE

3.1. MODBUS Transmission Mode

Two different serial transmission modes are defined : The RTU mode and the ASCII mode. It defines the bit contents of message fields transmitted serially on the line. It determines how information is packed into the message fields and decoded.

3.1.1. RTU Transmission Mode

When devices communicate on a MODBUS serial line using the RTU (Remote Terminal Unit) mode, each 8-bit byte in a message contains two 4-bit hexadecimal characters. The main advantage of this mode is that its greater character density allows better data throughput than ASCII mode for the same baud rate. Each message must be transmitted in a continuous stream of characters.

Start	Address	Function	Data	CRC Check	End
≥ 3.5 char	1 char	1 char	Up to 252 chars(s)	2 chrars	≥ 3.5 char

3.1.2. ASCII Transmission Mode

When devices are setup to communicate on a MODBUS serial line using ASCII (American Standard Code for Information Interchange) mode, each 8-bit byte in a message is sent as two ASCII characters. This mode is used when the physical communication link or the capabilities of the device does not allow the conformance with RTU mode requirements regarding timers management.

Start	Address	Function	Data	LRC Check	End
1 char '.'	2 chars	2 chars	Up to 2x252 char(s)	2 chars	2 chars CR,LF

3.2. Supported MODBUS Function Codes

Function Code	Function	Description	Unicast/Broadcast
1(0x01)	Read Coils	Read output bit	Unicast
2(0x02)	Read Discrete Inputs	Read input bit	Unicast
3(0x03)	Read Holding Registers	Read output word	Unicast
4(0x04)	Read Input Registers	Read input word	Unicast
5(0x05)	Write Single Coil	Write one bit output	Unicast/Broadcast
6(0x06)	Write Single Register	Write one word output	Unicast/Broadcast
8(0x08)	Diagnostics (Serial Line only)	Read diagnostic register	Unicast
15(0x0F)	Write Multiple Coils	Write a number of output bits	Unicast/Broadcast
16(0x10)	Write Multiple registers	Write a number of output words	Unicast/Broadcast
23(0x17)	Read/Write Multiple registers	Read a number of input words /Write a number of output words	Unicast

- Refer to MODBUS APPLICATION PROTOCOL SPECIFICATION V1.1a

3.2.1. 1 (0x01) Read Coils

This function code is used to read from 1 to 2000 contiguous status of coils in a remote device. The Request PDU specifies the starting address, i.e. the address of the first coil specified, and the number of coils. In the PDU Coils are addressed starting at zero. Therefore coils numbered 1-16 are addressed as 0-15. The coils in the response message are packed as one coil per bit of the data field. Status is indicated as 1= ON and 0= OFF.

■ Request

Field name	Example	RTU	ASCII	ASCII (bus line)
Start of Frame	---	t1-t2-t3	“,”	0x3A
Slave Address	0x07	0x07	“07”	0x30, 0x37
Function Code	0x01	0x01	“01”	0x30, 0x31
Starting Address Hi	0x10	0x10	“10”	0x31, 0x30
Starting Address Lo	0x00	0x00	“00”	0x30, 0x30
Quantity of Outputs Hi	0x00	0x00	“00”	0x30, 0x30
Quantity of Outputs Lo	0x0A	0x0A	“0A”	0x30, 0x41
Error Check (CRC/LRC)	---	0xB8, 0xAB	“DE”	0x44, 0x45
End of Frame	---	t1-t2-t3	CR, LF	0x0D, 0xA

■ Response

Field name	Example	RTU	ASCII	ASCII (bus line)
Start of Frame	---	t1-t2-t3	“,”	0x3A
Slave Address	0x07	0x07	“07”	0x30, 0x37
Function Code	0x01	0x01	“01”	0x30, 0x31
Byte Count	0x02	0x02	“02”	0x30, 0x32
Output Status	0x55	0x55	“55”	0x35, 0x35
Output Status	0x02	0x02	“02”	0x30, 0x32
Error Check (CRC/LRC)	---	0x8F, 0x6D	“9F”	0x39, 0x46
End of Frame	---	t1-t2-t3	CR, LF	0x0D, 0xA

- In case of address 0x1015~0x1000 output bit value: 10101010_01010101.

3.2.2. 2 (0x02) Read Discrete Inputs

This function code is used to read from 1 to 2000 contiguous status of discrete inputs in a remote device. The Request PDU specifies the starting address, i.e. the address of the first input specified, and the number of inputs. In the PDU Discrete Inputs are addressed starting at zero. Therefore Discrete inputs numbered 1-16 are addressed as 0-15.

The discrete inputs in the response message are packed as one input per bit of the data field.

Status is indicated as 1= ON; 0= OFF.

■ Request

Field name	Example	RTU	ASCII	ASCII (bus line)
Start of Frame	---	t1-t2-t3	“,”	0x3A
Slave Address	0x07	0x07	“07”	0x30, 0x37
Function Code	0x02	0x02	“02”	0x30, 0x32
Starting Address Hi	0x00	0x00	“00”	0x30, 0x30
Starting Address Lo	0x00	0x00	“00”	0x30, 0x30
Quantity of Inputs Hi	0x00	0x00	“00”	0x30, 0x30
Quantity of Inputs Lo	0x0A	0x0A	“0A”	0x30, 0x41
Error Check (CRC/LRC)	---	0xF8, 0x6B	“ED”	0x45, 0x44

End of Frame	---	t1-t2-t3	CR, LF	0x0D, 0xA
--------------	-----	----------	--------	-----------

■ **Response**

Field name	Example	RTU	ASCII	ASCII (bus line)
Start of Frame	---	t1-t2-t3	“,”	0x3A
Slave Address	0x07	0x07	“07”	0x30, 0x37
Function Code	0x02	0x02	“02”	0x30, 0x32
Byte Count	0x02	0x02	“02”	0x30, 0x32
Input Status	0x80	0x80	“80”	0x38, 0x30
Input Status	0x00	0x00	“00”	0x30, 0x30
Error Check (CRC/LRC)	---	0x50, 0x78	“75”	0x37, 0x35
End of Frame	---	t1-t2-t3	CR, LF	0x0D, 0xA

- In case of address 0x0015~0x0000 input bit value: 00000000_10000000.

3.2.3. 3 (0x03) Read Holding Registers

This function code is used to read the contents of a contiguous block of holding registers in a remote device. The Request PDU specifies the starting register address and the number of registers.

The register data in the response message are packed as two bytes per register, with the binary contents right justified within each byte. For each register, the first byte contains the high order bits and the second contains the low order bits.

■ **Request**

Field name	Example	RTU	ASCII	ASCII (bus line)
Start of Frame	---	t1-t2-t3	“,”	0x3A
Slave Address	0x07	0x07	“07”	0x30, 0x37
Function Code	0x03	0x03	“03”	0x30, 0x33
Starting Address Hi	0x08	0x08	“08”	0x30, 0x38
Starting Address Lo	0x00	0x00	“00”	0x30, 0x30
Quantity of Register Hi	0x00	0x00	“00”	0x30, 0x30
Quantity of Register Lo	0x02	0x02	“02”	0x30, 0x32
Error Check (CRC/LRC)	---	0xC6, 0x0D	“EC”	0x45, 0x43
End of Frame	---	t1-t2-t3	CR, LF	0x0D, 0xA

■ **Response**

Field name	Example	RTU	ASCII	ASCII (bus line)
Start of Frame	---	t1-t2-t3	“,”	0x3A
Slave Address	0x07	0x07	“07”	0x30, 0x37
Function Code	0x03	0x03	“03”	0x30, 0x33
Byte Count	0x04	0x04	“04”	0x30, 0x34
Output Register#0 Hi	0x11	0x11	“11”	0x31, 0x31
Output Register#0 Lo	0x22	0x22	“22”	0x32, 0x32
Output Register#1 Hi	0x33	0x33	“33”	0x33, 0x33
Output Register#1 Lo	0x44	0x44	“44”	0x34, 0x34
Error Check (CRC/LRC)	---	0x2D, 0xC6	“38”	0x34, 0x38
End of Frame	---	t1-t2-t3	CR, LF	0x0D, 0xA

- In case of address 0x0800, 0x0801 output register value: 0x1122, 0x3344.

3.2.4. 4 (0x04) Read Input Registers

This function code is used to read from 1 to approx. 125 contiguous input registers in a remote device. The Request PDU specifies the starting register address and the number of registers. The register data in the response message are packed as two bytes per register, with the binary contents right justified within each byte. For each register, the first byte contains the high order bits and the second contains the low order bits.

Request

Field name	Example	RTU	ASCII	ASCII (bus line)
Start of Frame	---	t1-t2-t3	“,”	0x3A
Slave Address	0x07	0x07	“07”	0x30, 0x37
Function Code	0x04	0x04	“04”	0x30, 0x34
Starting Address Hi	0x00	0x00	“00”	0x30, 0x30
Starting Address Lo	0x00	0x00	“00”	0x30, 0x30
Quantity of Register Hi	0x00	0x00	“00”	0x30, 0x30
Quantity of Register Lo	0x02	0x02	“02”	0x30, 0x32
Error Check (CRC/LRC)	---	0x71, 0xAD	“F3”	0x46, 0x33
End of Frame	---	t1-t2-t3	CR, LF	0x0D, 0xA

Response

Field name	Example	RTU	ASCII	ASCII (bus line)
Start of Frame	---	t1-t2-t3	“,”	0x3A
Slave Address	0x07	0x07	“07”	0x30, 0x37
Function Code	0x03	0x03	“04”	0x30, 0x34
Byte Count	0x04	0x04	“04”	0x30, 0x34
Input Register#0 Hi	0x00	0x00	“00”	0x30, 0x30
Input Register#0 Lo	0x80	0x80	“80”	0x38, 0x30
Input Register#1 Hi	0x00	0x00	“00”	0x30, 0x30
Input Register#1 Lo	0x00	0x00	“00”	0x30, 0x30
Error Check (CRC/LRC)	---	0x9C, 0x6C	“71”	0x37, 0x31
End of Frame	---	t1-t2-t3	CR, LF	0x0D, 0xA

- In case of address 0x0000, 0x0001 input register value: 0x0080, 0x0000.

3.2.5. 5 (0x05) Write Single Coil

This function code is used to write a single output to either ON or OFF in a remote device. The requested ON/OFF state is specified by a constant in the request data field. A value of FF 00 hex requests the output to be ON. A value of 00 00 requests it to be OFF. All other values are illegal and will not affect the output.

Request

Field name	Example	RTU	ASCII	ASCII (bus line)
Start of Frame	---	t1-t2-t3	“,”	0x3A
Slave Address	0x07	0x07	“07”	0x30, 0x37
Function Code	0x05	0x05	“05”	0x30, 0x35
Output Address Hi	0x10	0x10	“10”	0x31, 0x30
Output Address Lo	0x01	0x01	“01”	0x30, 0x31
Output Value Hi	0xFF	0xFF	“FF”	0x46, 0x46
Output Value Lo	0x00	0x00	“00”	0x30, 0x30
Error Check (CRC/LRC)	---	0xD9, 0x5C	“E4”	0x45, 0x34
End of Frame	---	t1-t2-t3	CR, LF	0x0D, 0xA

■ **Response**

Field name	Example	RTU	ASCII	ASCII (bus line)
Start of Frame	---	t1-t2-t3	“,”	0x3A
Slave Address	0x07	0x07	“07”	0x30, 0x37
Function Code	0x05	0x05	“05”	0x30, 0x35
Output Address Hi	0x10	0x10	“10”	0x31, 0x30
Output Address Lo	0x01	0x01	“01”	0x30, 0x31
Output Value Hi	0xFF	0xFF	“FF”	0x46, 0x46
Output Value Lo	0x00	0x00	“00”	0x30, 0x30
Error Check (CRC/LRC)	---	0xD9, 0x5C	“E4”	0x45, 0x34
End of Frame	---	t1-t2-t3	CR, LF	0x0D, 0xA

- Output bit of address 0x1001 turns ON.

3.2.6. 6 (0x06) Write Single Register

This function code is used to write a single holding register in a remote device. Therefore register numbered 1 is addressed as 0. The normal response is an echo of the request, returned after the register contents have been written.

■ **Request**

Field name	Example	RTU	ASCII	ASCII (bus line)
Start of Frame	---	t1-t2-t3	“,”	0x3A
Slave Address	0x07	0x07	“07”	0x30, 0x37
Function Code	0x06	0x06	“06”	0x30, 0x36
Register Address Hi	0x08	0x08	“08”	0x30, 0x38
Register Address Lo	0x00	0x00	“00”	0x30, 0x30
Register Value Hi	0x11	0x11	“11”	0x31, 0x32
Register Value Lo	0x22	0x22	“22”	0x32, 0x32
Error Check (CRC/LRC)	---	0x07, 0x85	“B8”	0x42, 0x38
End of Frame	---	t1-t2-t3	CR, LF	0x0D, 0xA

■ **Response**

Field name	Example	RTU	ASCII	ASCII (bus line)
Start of Frame	---	t1-t2-t3	“,”	0x3A
Slave Address	0x07	0x07	“07”	0x30, 0x37
Function Code	0x06	0x06	“06”	0x30, 0x36
Register Address Hi	0x08	0x08	“08”	0x30, 0x38
Register Address Lo	0x00	0x00	“00”	0x30, 0x30
Register Value Hi	0x11	0x11	“11”	0x31, 0x32
Register Value Lo	0x22	0x22	“22”	0x32, 0x32
Error Check (CRC/LRC)	---	0x07, 0x85	“B8”	0x42, 0x38
End of Frame	---	t1-t2-t3	CR, LF	0x0D, 0xA

- In case of address 0x0800 output register value: 0x0000 changes to 0x1122.

3.2.7. 8 (0x08) Diagnostics

MODBUS function code 08 provides a series of tests for checking the communication system between a client (Master) device and a server (Slave), or for checking various internal error conditions within a server.

The function uses a two-byte sub-function code field in the query to define the type of test to be performed. The server echoes both the function code and sub-function code in a normal response. Some of the diagnostics cause data to be returned from the remote device in the data field of a normal response.

■ **Request**

Field name	Example	RTU	ASCII	ASCII (bus line)
Start of Frame	---	t1-t2-t3	“,”	0x3A
Slave Address	0x07	0x07	“07”	0x30, 0x37
Function Code	0x08	0x08	“08”	0x30, 0x38
Sub-Function Hi	0x00	0x00	“00”	0x30, 0x30
Sub-Function Lo	0x00	0x00	“00”	0x30, 0x30
Data Hi	0x11	0x11	“11”	0x31, 0x31
Data Lo	0x22	0x22	“22”	0x32, 0x32
Error Check (CRC/LRC)	---	0x6C, 0x24	“BE”	0x42, 0x45
End of Frame	---	t1-t2-t3	CR, LF	0x0D, 0xA

■ **Response**

Field name	Example	RTU	ASCII	ASCII (bus line)
Start of Frame	---	t1-t2-t3	“,”	0x3A
Slave Address	0x07	0x07	“07”	0x30, 0x37
Function Code	0x08	0x08	“08”	0x30, 0x38
Sub-Function Hi	0x00	0x00	“00”	0x30, 0x30
Sub-Function Lo	0x00	0x00	“00”	0x30, 0x30
Data Hi	0x11	0x11	“11”	0x31, 0x31
Data Lo	0x22	0x22	“22”	0x32, 0x32
Error Check (CRC/LRC)	---	0x6C, 0x24	“BE”	0x42, 0x45
End of Frame	---	t1-t2-t3	CR, LF	0x0D, 0xA

Sub-function 0x0000(0) Return Query Data

The data passed in the request data field is to be returned (looped back) in the response.

The entire response message should be identical to the request.

Sub-function	Data Field (Request)	Data Field (Response)	Description
0x0000(0)	Any	Echo Request Data	

Sub-function 0x0001(1) Restart Communications Option

The remote device could be initialized and restarted, and all of its communications event counters are cleared.

Especially, data field 0x55AA make the remote device to restart with factory default setup of EEPROM.

Sub-function	Data Field (Request)	Data Field (Response)	Description
0x0001(1)	0x0000, 0xFF00	Echo Request Data	Reset
0x0001(1)	0x55AA	Echo Request Data	Reset with Factory default *

* All expansion slot configuration parameters are cleared.

Sub-function 0x000A(10) Clear Counters and Diagnostic Register

The goal is to clear all counters and the diagnostic register. Counters are also cleared upon power-up.

Sub-function	Data Field (Request)	Data Field (Response)	Description
0x000A(10)	0x0000	Echo Request Data	

Sub-function 0x000B(11) Return Bus Message Count

The response data field returns the quantity of messages that the remote device has detected on the communications system since its last restart, clear counters operation, or power-up.

Sub-function	Data Field (Request)	Data Field (Response)	Description
0x000B(11)	0x0000	Total Message Count	

Sub-function 0x000C(12) Return Bus Communication Error Count

The response data field returns the quantity of CRC errors encountered by the remote device since its last restart, clear counters operation, or power-up.

Sub-function	Data Field (Request)	Data Field (Response)	Description
0x000C(12)	0x0000	CRC Error Count	

Sub-function 0x000D(13) Return Bus Exception Error Count

The response data field returns the quantity of MODBUS exception responses returned by the remote device since its last restart, clear counters operation, or power-up.

Exception responses are described and listed in section 3.2.11.

Sub-function	Data Field (Request)	Data Field (Response)	Description
0x000D(13)	0x0000	Exception Error Count	

Sub-function 0x000E(14) Return Slave Message Count

The response data field returns the quantity of messages addressed to the remote device, or broadcast, that the remote device has processed since its last restart, clear counters operation, or power-up.

Sub-function	Data Field (Request)	Data Field (Response)	Description
0x000E(14)	0x0000	Slave Message Count	

Sub-function 0x000F(15) Return Slave No Response Count

The response data field returns the quantity of messages addressed to the remote device for which it has returned no response (neither a normal response nor an exception response), since its last restart, clear counters operation, or power-up.

Sub-function	Data Field (Request)	Data Field (Response)	Description
0x000F(15)	0x0000	Slave No Response Count	

Sub-function 0x0064(100) Return Slave ModBus, FnBus Status

The response data field returns the status of ModBus and FnBus addressed to the remote device.

This status values are identical with status 1 word of input process image. Refer to 2.4.2.

Sub-function	Data Field (Request)	Data Field (Response)	Description
0x0064(100)	0x0000	ModBus, FnBus Status	Same as status 1 word

Sub-function 0x0065(101) Return Slave Watchdog Error Count

The response data field returns the quantity of watchdog error addressed to the remote device since its last restart, clear counters operation, or power-up.

Sub-function	Data Field (Request)	Data Field (Response)	Description
0x0065(101)	0x0000	Watchdog Error Count	

Sub-function 0x0066(102) Change Slave IO Output Status

The sub-function with data fields is to clear watchdog counter and change IO output status. This may be used to simulate clear output and fault output.

Sub-function	Data Field (Request)	Data Field (Response)	Description
0x0066(102)	0x0000	Echo Request Data	Ready output, automatically turns Normal output
0x0066(102)	0x0001, 0x0002, 0x0003	Echo Request Data	Clear output
0x0066(102)	0x0004	Echo Request Data	Normal output
0x0066(102)	0x0005, 0x0006, 0x0007	Echo Request Data	Fault output

3.2.8. 15 (0x0F) Write Multiple Coils

This function code is used to force each coil in a sequence of coils to either ON or OFF in a remote device. The Request PDU specifies the coil references to be forced. Coils are addressed starting at zero. A logical '1' in a bit position of the field requests the corresponding output to be ON. A logical '0' requests it to be OFF.

The normal response returns the function code, starting address, and quantity of coils forced.

■ **Request**

Field name	Example	RTU	ASCII	ASCII (bus line)
Start of Frame	---	t1-t2-t3	“,”	0x3A
Slave Address	0x07	0x07	“07”	0x30, 0x37
Function Code	0x0F	0x0F	“0F”	0x30, 0x46
Starting Address Hi	0x10	0x10	“10”	0x31, 0x30
Starting Address Lo	0x00	0x00	“00”	0x30, 0x30
Quantity of Outputs Hi	0x00	0x00	“00”	0x30, 0x30
Quantity of Outputs Lo	0x0A	0x0A	“0A”	0x30, 0x41
Byte Count	0x02	0x02	“02”	0x30, 0x32
Output Value#0	0x55	0x55	“55”	0x35, 0x35
Output Value#1	0x01	0x01	“01”	0x30, 0x31
Error Check (CRC/LRC)	---	0x21, 0xC9	“78”	0x37, 0x38
End of Frame	---	t1-t2-t3	CR, LF	0x0D, 0xA

■ **Response**

Field name	Example	RTU	ASCII	ASCII (bus line)
Start of Frame	---	t1-t2-t3	“,”	0x3A
Slave Address	0x07	0x07	“07”	0x30, 0x37
Function Code	0x0F	0x0F	“0F”	0x30, 0x46
Starting Address Hi	0x10	0x10	“10”	0x31, 0x30
Starting Address Lo	0x00	0x00	“00”	0x30, 0x30
Quantity of Outputs Hi	0x00	0x00	“00”	0x30, 0x30
Quantity of Outputs Lo	0x0A	0x0A	“0A”	0x30, 0x41
Error Check (CRC/LRC)	---	0xD1, 0x6A	“D0”	0x44, 0x30
End of Frame	---	t1-t2-t3	CR, LF	0x0D, 0xA

- In case of address 0x1015~0x1000 output bit value: 00000000_00000000 changes to 00000001_01010101.

3.2.9. 16 (0x10) Write Multiple registers

This function code is used to write a block of contiguous registers (1 to approx. 120 registers) in a remote device. The requested written values are specified in the request data field. Data is packed as two bytes per register. The normal response returns the function code, starting address, and quantity of registers written.

■ **Request**

Field name	Example	RTU	ASCII	ASCII (bus line)
Start of Frame	---	t1-t2-t3	“,”	0x3A
Slave Address	0x07	0x07	“07”	0x30, 0x37
Function Code	0x0F	0x0F	“10”	0x31, 0x30
Starting Address Hi	0x10	0x10	“08”	0x30, 0x38
Starting Address Lo	0x08	0x08	“00”	0x30, 0x30
Quantity of Registers Hi	0x00	0x00	“00”	0x30, 0x30
Quantity of Registers Lo	0x02	0x02	“02”	0x30, 0x32
Byte Count	0x04	0x04	“04”	0x30, 0x34
Register Value#0 Hi	0x11	0x11	“11”	0x31, 0x31
Register Value#0 Lo	0x22	0x22	“22”	0x32, 0x32
Register Value#1 Hi	0x33	0x33	“33”	0x33, 0x33
Register Value#1 Lo	0x44	0x44	“44”	0x34, 0x34
Error Check (CRC/LRC)	---	0x3B, 0x12	“31”	0x33, 0x31
End of Frame	---	t1-t2-t3	CR, LF	0x0D, 0xA

■ **Response**

Field name	Example	RTU	ASCII	ASCII (bus line)
Start of Frame	---	t1-t2-t3	“,”	0x3A
Slave Address	0x07	0x07	“07”	0x30, 0x37
Function Code	0x0F	0x0F	“10”	0x31, 0x30
Starting Address Hi	0x10	0x10	“08”	0x30, 0x38
Starting Address Lo	0x08	0x08	“00”	0x30, 0x30
Quantity of Registers Hi	0x00	0x00	“00”	0x30, 0x30
Quantity of Registers Lo	0x02	0x02	“02”	0x30, 0x32
Error Check (CRC/LRC)	---	0x43, 0xCE	“DF”	0x44, 0x46
End of Frame	---	t1-t2-t3	CR, LF	0x0D, 0xA

.- In case of address 0x0800, 0x0801 output register value: 0x0000, 0x0000 changes to 0x1122, 0x3344.

3.2.10. 23 (0x17) Read/Write Multiple registers

This function code performs a combination of one read operation and one write operation in a single MODBUS transaction. The write operation is performed before the read. The request specifies the starting address and number of holding registers to be read as well as the starting address, number of holding registers, and the data to be written. The byte count specifies the number of bytes to follow in the write data field.

The normal response contains the data from the group of registers that were read. The byte count field specifies the quantity of bytes to follow in the read data field.

■ **Request**

Field name	Example	RTU	ASCII	ASCII (bus line)
Start of Frame	---	t1-t2-t3	“,”	0x3A
Slave Address	0x07	0x07	“07”	0x30, 0x37
Function Code	0x17	0x17	“17”	0x31, 0x37
Read Starting Address Hi	0x08	0x08	“08”	0x30, 0x38
Read Starting Address Lo	0x00	0x00	“00”	0x30, 0x30
Quantity of Read Hi	0x00	0x00	“00”	0x30, 0x30
Quantity of Read Lo	0x02	0x02	“02”	0x30, 0x32
Write Starting Address Hi	0x08	0x08	“08”	0x30, 0x38
Write Starting Address Lo	0x00	0x00	“00”	0x30, 0x30
Quantity of Write Hi	0x00	0x00	“00”	0x30, 0x30
Quantity of Write Lo	0x02	0x02	“02”	0x30, 0x32
Byte Count	0x04	0x04	“04”	0x30, 0x34
Write Reg. Value#0 Hi	0x11	0x11	“11”	0x31, 0x31
Write Reg. Value#0 Lo	0x22	0x22	“22”	0x32, 0x32
Write Reg. Value#1 Hi	0x33	0x33	“33”	0x33, 0x33
Write Reg. Value#1 Lo	0x44	0x44	“44”	0x34, 0x34
Error Check (CRC/LRC)	---	0x88, 0x3F	“20”	0x32, 0x30
End of Frame	---	t1-t2-t3	CR, LF	0x0D, 0xA

■ **Response**

Field name	Example	RTU	ASCII	ASCII (bus line)
Start of Frame	---	t1-t2-t3	“,”	0x3A
Slave Address	0x07	0x07	“07”	0x30, 0x37
Function Code	0x17	0x17	“17”	0x31, 0x37
Byte Count	0x04	0x04	“04”	0x30, 0x34
Read Reg. Value#0 Hi	0x11	0x11	“11”	0x31, 0x31
Read Reg. Value#0 Lo	0x22	0x22	“22”	0x32, 0x32

Read Reg. Value#1 Hi	0x33	0x33	“33”	0x33, 0x33
Read Reg. Value#1 Lo	0x44	0x44	“44”	0x34, 0x34
Error Check (CRC/LRC)	---	0x2E, 0xD2	“34”	0x33, 0x34
End of Frame	---	t1-t2-t3	CR, LF	0x0D, 0xA

- In case of address 0x0800, 0x0801 output register value: 0x0000, 0x0000 changes to 0x1122, 0x3344.

3.2.11. Error Response

In an exception response, the server sets the MSB of the function code to 1. This makes the function code value in an exception response exactly 80 hexadecimal higher than the value would be for a normal response.

■ Exception Response Example

Field name	Example	RTU	ASCII	ASCII (bus line)
Start of Frame	---	t1-t2-t3	“,”	0x3A
Slave Address	0x07	0x07	“07”	0x30, 0x37
Function Code	0x81	0x81	“81”	0x38, 0x31
Exception Code	0x02	0x02	“02”	0x30, 0x32
Error Check (CRC/LRC)	---	0x22, 0xC0	“76”	0x37, 0x36
End of Frame	---	t1-t2-t3	CR, LF	0x0D, 0xA

■ Exception Codes

Exception Code	Name	Description
01	Illegal Function	The function code received in the query is not an allowable action for the server (or slave).
02	Illegal Data Address	The data address received in the query is not an allowable address for the server (or slave).
03	Illegal Data Value	A value contained in the query data field is not an allowable value for server (or slave).
04	Slave Device Failure	An unrecoverable error occurred while the server (or slave) was attempting to perform the requested action.
05	Acknowledge	The server (or slave) has accepted the request and is processing it, but a long duration of time will be required to do so.
06	Slave Device Busy	Specialized use in conjunction with programming commands. The server (or slave) is engaged in processing a long-duration program command. The client (or master) should retransmit the message later when the server (or slave) is free.
08	Memory Parity Error	The server (or slave) attempted to read record file, but detected a parity error in the memory. The client (or master) can retry the request, but service may be required on the server (or slave) device.
0A	Gateway Path Unavailable	Specialized use in conjunction with gateways, indicates that the gateway was unable to allocate an internal communication path from the input port to the output port for processing the request.

- NA-9171, NA-9171 response exception code 01, 02, 03, 04 and 06.

3.3. MODBUS Special Register Map

The special register map can be accessed by function code 3, 4, 6 and 16. Also the special register map must be accessed by read/write of every each address (one address).

3.3.1. Adapter Identification Special Register (0x1000, 4096)

Address	Access	Type, Size	Description
0x1000(4096)	Read	1word	Vendor ID = 0x02E5(741), Crevis. Co., Ltd.
0x1001(4097)	Read	1word	Device type = 0x000C, Network Adapter
0x1002(4098)	Read	1word	Product code. 0x0300(NA9171, Modbus/RS232) 0x0301(NA9173, Modbus/RS485)
0x1003(4099)	Read	1word	Firmware revision, if 0x0101, revision 1.01
0x1004(4100)	Read	2word	Product unique serial number
0x1005(4101)	Read	String upto 34byte	Product name string First 1word is length of valid character string Example) response as following “00 15 4E 41 39 31 37 33 5F 4D 4F 44 42 55 53 5F 41 64 61 70 74 65 72 00 00 00” Valid character size = 0x0015 =21 characters “NA9173 MODBUS Adapter”
0x1006(4102)	Read	1word	Sum check of EEPROM
0x1010(4112)	Read	2word	Firmware release date
0x1011(4113)	Read	2word	Product manufacturing inspection date
0x1012(4114)	Read	String upto 34byte	Vendor name string First 1word is length of valid character string.
0x101E(4126)	Read	7word - 1word - 1word - 1word - 1word - 1word - 2word	Composite Id of following address 0x1100(4352), Rotary switch value, Slave Node Id. 0x1000(4096), Vendor ID 0x1001(4097), Device type 0x1002(4098), Product code 0x1003(4099), Firmware revision 0x1004(4100), Product serial number

- String Type consist of valid string length (first 1word) and array of characters

3.3.2. Adapter Watchdog Time, other Time Special Register (0x1020, 4128)

A watchdog timer can be configured for timeout periods up to 65535(1unit=100msec). The Watchdog timer will timeout (timer decreased, reached 0) if ModBus operation to the slave node does not occur over the configured watchdog value, then the slave adapter forces that slot output value is automatically set to user-configured fault actions and values.

Address	Access	Type, Size	Description
0x1020(4128)	Read/Write	1word	Watchdog time value 16bit unsigned. The time value is represented by multiples of 100msec. The default value is 50 (50*100msec=5sec). A changing of watchdog time value resets watchdog error.

0x1021(4129)	Read	1word	Watchdog time remain value This value decreases every 100msec
0x1022(4130)	Read	1word	Watchdog error counter, it is cleared by writing address 0x1020
0x1023(4131)	Read/Write	1word	Enable/disable auto recovery Watchdog error when receiving new frame. 0:Disable, 1:Enable(default). Its value is stored in EEPROM.
0x1024(4132)	Read/Write	1word	Transmission response delay time. The value can be set 16bit unsigned (1msec unit). The default value is 0 (no delay).
0x1025(4133)	Read/Write	1word	Valid byte-byte time gap in ASCII mode. (1msec unit) In ASCII mode byte-byte time gap is over setting value during receiving frame, this frame will be cancelled (dropped).
0x1028(4136)	Read	2word	IO update time, main loop time. (100usec unit)

3.3.3. Adapter Information Special Register (0x1100, 4352)

Address	Access	Type, Size	Description
0x1100(4352)	Read/Write	1word	Hi byte is two rotary switch value, low byte is current slave node address. ModBus slave node address. If two rotary switches value are 0, the slave node address is assigned with last valid address and can be changed by software (1~247).
0x1101(4353)	Read	1word	Hi byte is a current dip switch value, low byte is used current setup value.
0x1102(4354)	Read	1word	Start address of input image word register. =0x0000
0x1103(4355)	Read	1word	Start address of output image word register. =0x0800
0x1104(4356)	Read	1word	Size of input image word register.
0x1105(4357)	Read	1word	Size of output image word register.
0x1106(4358)	Read	1word	Start address of input image bit. = 0x0000
0x1107(4359)	Read	1word	Start address of output image bit. =0x1000
0x1108(4360)	Read	1word	Size of input image bit.
0x1109(4361)	Read	1word	Size of output image bit.
0x110E(4366)	Read	upto 33word	Expansion slot's ST-number including NA. First 1word is adapter's number, if NA-9173, then 0x9173
0x1110(4368)	Read	1word	Number of expansion slot
0x1111(4369)	Read	1word	Number of active slot
0x1112(4370)	Read	1word	Number of inactive slot
0x1113(4371)	Read	upto 33word	Expansion slot Module Id. Refer to Appendix A.1 Product List. First 1word is adapter's module id.
0x1114(4372)*	Read/Write	1word	Input process image mode. The default value is 2. Valid value range is from 0 to 3. Refer to 2.4.2
0x1115(4373)*	Read/Write	1word	Output process image mode. The default value is 0. Valid value range is from 0 to 1. Refer to 2.4.3
0x1116(4374) **	Read/Write	2word	Inactive slot list, The corresponding bit represents slot position. 0:Active slot, 1:Inactive slot. Ex) if value is 0x0001, 0x8000, then slot#1,#32 are inactive slots
0x1117(4375)	Read	2word	Live slot list. , The corresponding bit represents slot position. 1:live slot, 0:not live slot
0x1118(4376)	Read	2word	Alarm slot list. The corresponding bit represents slot position. 1:Alarm slot, 0:Normal slot
0x1119(4377)	Read	1word	Hi byte is ModBus status, low byte is FnBus status. Refer to 2.4.2
0x111A(4378)	Write	1word	Reserved. Adapter Scan command.

0x111B(4379)	Read/Write	1word	Reserved. IO State machine.
0x111C(4380)	Read	2word	Reserved. Runtime fault code.
0x111D(4381)	Read	1word	Adapter FnBus Revision. If 0x013C, FuBus Revision is 1.60
0x111E(4382)	Read	1word	Reserved. Adapter IO identification vendor code.

*** After the system is reset, the new “Set Value” action is applied.

** If the slot location is changed, set default value automatically (all expansion slot are live).

3.3.4. Expansion Slot Information Special Register (0x2000, 8192)

Each expansion slot has 0x20(32) address offset and same information structure.

Slot#1	0x2000(8192)~0x201F(8223)	Slot#17	0x2200(8704)~0x221F(8735)
Slot#2	0x2020(8224)~0x203F(8255)	Slot#18	0x2220(8736)~0x223F(8767)
Slot#3	0x2040(8256)~0x205F(8287)	Slot#19	0x2240(8768)~0x225F(8799)
Slot#4	0x2060(8288)~0x207F(8319)	Slot#20	0x2260(8800)~0x227F(8831)
Slot#5	0x2080(8320)~0x209F(8351)	Slot#21	0x2280(8832)~0x229F(8863)
Slot#6	0x20A0(8352)~0x20BF(8383)	Slot#22	0x22A0(8864)~0x22BF(8895)
Slot#7	0x20C0(8384)~0x20DF(8415)	Slot#23	0x22C0(8896)~0x22DF(8927)
Slot#8	0x20E0(8416)~0x20FF(8447)	Slot#24	0x22E0(8928)~0x22FF(8959)
Slot#9	0x2100(8448)~0x211F(8479)	Slot#25	0x2300(8960)~0x231F(8991)
Slot#10	0x2120(8480)~0x213F(8511)	Slot#26	0x2320(8992)~0x233F(9023)
Slot#11	0x2140(8512)~0x215F(8543)	Slot#27	0x2340(9024)~0x235F(9055)
Slot#12	0x2160(8544)~0x217F(8575)	Slot#29	0x2360(9056)~0x237F(9087)
Slot#13	0x2180(8576)~0x219F(8607)	Slot#20	0x2380(9088)~0x239F(9119)
Slot#14	0x21A0(8608)~0x21BF(8639)	Slot#30	0x23A0(9120)~0x23BF(9151)
Slot#15	0x21C0(8640)~0x21DF(8671)	Slot#31	0x23C0(9152)~0x23DF(9183)
Slot#16	0x21E0(8672)~0x21FF(8703)	Slot#32	0x23E0(9184)~0x23FF(9215)

Address Offset	Expansion Slot#1	Expansion Slot#2	Expansion Slot#3	Expansion Slot#31	Expansion Slot#32
+ 0x00(+0)	0x2000(8192)	0x2020(8224)	0x2040(8256)	0x23C0(9152)	0x23E0(9184)
+ 0x01(+1)	0x2001(8193)	0x2021(8225)	0x2041(8257)	0x23C1(9153)	0x23E1(9185)
+ 0x02(+2)	0x2002(8194)	0x2022(8226)	0x2042(8258)	0x23C2(9154)	0x23E2(9186)
+ 0x03(+3)	0x2003(8195)	0x2023(8227)	0x2043(8259)	0x23C3(9155)	0x23E3(9187)
+ 0x04(+4)	0x2004(8196)	0x2024(8228)	0x2044(8260)	0x23C4(9156)	0x23E4(9188)
+ 0x05(+5)	0x2005(8197)	0x2025(8229)	0x2045(8261)	0x23C5(9157)	0x23E5(9189)
+ 0x06(+6)	0x2006(8198)	0x2026(8230)	0x2046(8262)	0x23C6(9158)	0x23E6(9190)
+ 0x07(+7)	0x2007(8199)	0x2027(8231)	0x2047(8263)	0x23C7(9159)	0x23E7(9191)
+ 0x08(+8)	0x2008(8200)	0x2028(8232)	0x2048(8264)	0x23C8(9160)	0x23E8(9192)
+ 0x09(+9)	0x2009(8201)	0x2029(8233)	0x2049(8265)	0x23C9(9161)	0x23E9(9193)
+ 0x0A(+10)	0x200A(8202)	0x202A(8234)	0x204A(8266)	0x23CA(9162)	0x23EA(9194)
+ 0x0B(+11)	0x200B(8203)	0x202B(8235)	0x204B(8267)	0x23CB(9163)	0x23EB(9195)
+ 0x0C(+12)	0x200C(8204)	0x202C(8236)	0x204C(8268)	0x23CC(9164)	0x23EC(9196)
+ 0x0D(+13)	0x200D(8205)	0x202D(8237)	0x204D(8269)	0x23CD(9165)	0x23ED(9197)
+ 0x0E(+14)	0x200E(8206)	0x202E(8238)	0x204E(8270)	0x23CE(9166)	0x23EE(9198)
+ 0x0F(+15)	0x200F(8207)	0x202F(8239)	0x204F(8271)	0x23CF(9167)	0x23EF(9199)
+ 0x10(+16)	0x2010(8208)	0x2030(8240)	0x2050(8272)	0x23D0(9168)	0x23F0(9200)
+ 0x11(+17)	0x2011(8209)	0x2031(8241)	0x2051(8273)	0x23D1(9169)	0x23F1(9201)
+ 0x12(+18)	0x2012(8210)	0x2032(8242)	0x2052(8274)	0x23D2(9170)	0x23F2(9202)
+ 0x13(+19)	0x2013(8211)	0x2033(8243)	0x2053(8275)	0x23D3(9171)	0x23F3(9203)
+ 0x14(+20)	0x2014(8212)	0x2034(8244)	0x2054(8276)	0x23D4(9172)	0x23F4(9204)

+ 0x15(+21)	0x2015(8213)	0x2035(8245)	0x2055(8277)	0x23D5(9173)	0x23F5(9205)
+ 0x16(+22)	0x2016(8214)	0x2036(8246)	0x2056(8278)	0x23D6(9174)	0x23F6(9206)
+ 0x17(+23)	0x2017(8215)	0x2037(8247)	0x2057(8279)	0x23D7(9175)	0x23F7(9207)
+ 0x18(+24)	0x2018(8216)	0x2038(8248)	0x2058(8280)	0x23D8(9176)	0x23F8(9208)
+ 0x19(+25)	0x2018(8217)	0x2038(8249)	0x2058(8281)	0x23D9(9177)	0x23F9(9209)
+ 0x1A(+26)	0x201A(8218)	0x203A(8250)	0x205A(8282)	0x23DA(9178)	0x23FA(9210)
+ 0x1B(+27)	0x201B(8219)	0x203B(8251)	0x205B(8283)	0x23DB(9179)	0x23FB(9211)
+ 0x1C(+28)	0x201C(8220)	0x203C(8252)	0x205C(8284)	0x23DC(9180)	0x23FC(9212)
+ 0x1D(+29)	0x201D(8221)	0x203D(8253)	0x205D(8285)	0x23DD(9181)	0x23FD(9213)
+ 0x1E(+30)	0x201E(8222)	0x203E(8254)	0x205E(8286)	0x23DE(9182)	0x23FE(9214)
+ 0x1F(+31)	0x201F(8223)	0x203F(8255)	0x205F(8287)	0x23DF(9183)	0x23FF(9215)

Address Offset	Access	Type, Size	Description
+ 0x00(+0)	Read	1word	Slot module id. Refer to Appendix A.1 Product List.
+ 0x01(+1)	Read	1word	Expansion Slot IO code. Refer to Table IO Data Code Format.
+ 0x02(+2) **	Read	1word	Input start register address of input image word this slot.
+ 0x03(+3) **	Read	1word	Input word's bit offset of input image word this slot.
+ 0x04(+4) **	Read	1word	Output start register address of output image word this slot.
+ 0x05(+5) **	Read	1word	Output word's bit offset of output image word this slot.
+ 0x06(+6) **	Read	1word	Input bit start address of input image bit this slot.
+ 0x07(+7) **	Read	1word	Output bit start address of output image bit this slot.
+ 0x08(+8) **	Read	1word	Size of input bit this slot
+ 0x09(+9) **	Read	1word	Size of output bit this slot
+ 0x0A(+10)**	Read	n word	Read input data this slot
+ 0x0B(+11)**	Read/Write	n word	Read/write output data this slot
+ 0x0C(+12) *	Read/Write	1word	Inactive slot, 0x0000:active, 0x0001:inactive
+ 0x0E(+14)	Read	1word	ST-number, if ST-1324, returns 0x1324
+ 0x0F(+15)	Read	String upto 74byte	First 1word is length of valid character string. If ST-1324, returns "00 21 53 54 2D 31 33 32 34 2C 20 46 6E 49 4F 20 34 20 53 6F 75 72 63 69 6E 67 20 49 6E 20 34 38 56 64 63 00" Valid character size = 0x0021 =33 characters, "ST-1324, FnIO 4 Sourcing In 48Vdc"
+ 0x10(+16)	Read	1word	Size of configuration parameter byte
+ 0x11(+17)**	Read/Write	n word	Read/write Configuration parameter data, up to 8byte. Refer to A.2 ***
+ 0x12(+18)	Read	1word	Size of memory byte.
+ 0x13(+19)**	Read/Write	n word	Read/write Memory data. Offset of memory is fixed with 0
+ 0x14(+20)**	Read/Write	n word	Read/write Memory data. First 2byte of write data is memory offset.
+ 0x15(+21)	Read	2word	Product code Refer to Appendix A.1 Product List.
+ 0x16(+22)	Read	2word	Catalog number. Refer to Appendix A.1 Product List.
+ 0x17(+23)	Read	1word	Firmware Revision
+ 0x18(+24)	Read	1word	FuBus Revision
+ 0x1A(+26)	Read/Write	n word	Reserved. Read/write expansion class access.
+ 0x1B(+27)	Read/Write	n word	Reserved. Read/write maintenance data access.

* After the system is reset, the new "Set Value" action is applied.

** Nothing of output, input, memory or configuration parameter corresponding slot returns Exception 02.

*** Slot Configuration parameter saved by internal EEPROM during power cycle until slot position changed.

*** All of output modules and special modules have the slot configuration parameter data. Refer to A.2.

■ **Table 3.3.1. IO Data Code Format (1word)**

DRAFT



Item	#15	#14	#13	#12	#11	#10	#9	#8	#7	#6	#5	#4	#3	#2	#1	#0	Word
Field	Output IO code								Input IO code								
Field	Date Type		Data Length						Data Type		Data Length						
Example)																	
ST-3214	0	0	0	0	0	0	0	0	1	0	0	0	0	1	0	0	0x0084
ST-1224	0	0	0	0	0	0	0	0	1	1	0	0	0	1	0	0	0x00C4
ST-1228	0	0	0	0	0	0	0	0	0	1	0	0	0	0	0	1	0x0041
ST-4123	1	0	0	0	0	0	1	0	0	0	0	0	0	0	0	0	0x8200
ST-221F	0	1	0	0	0	0	0	1	0	0	0	0	0	0	0	0	0x4200
ST-2324	1	1	0	0	0	1	0	0	1	1	0	0	0	1	0	0	0xC4C4

Input/Output Data Type :

0 0: No I/O Data
 0 1: Byte Data
 1 0: Word Data
 1 1: Bit Data

Input/Output Data Length:

0 0 0 0 0 0 : 0 Bit/Byte/Word
 0 0 0 0 0 1 : 1 Bit/Byte/Word
 0 0 0 0 1 0 : 2 Bit/Byte/Word
 0 0 0 0 1 1 : 3 Bit/Byte/Word

...

1 1 1 1 1 1 : 63 Bit/Byte/Word

3.4. MODBUS Reference

MODBUS Reference Documents

<http://www.modbus.org>

MODBUS Tools

<http://www.modbustools.com>, modbus poll

<http://www.win-tech.com>, modscan32

APPENDIX A

A.1. Product List

No.	ST-Number	Description	Module Id (hex)	Catalog Number (hex) +1,+0	Product Code (hex) +1,+0
1	ST-1214	4-sinking input, 24Vdc	03	0003, 0041	83C0, 4001
2	ST-1224	4-sourcing input, 24Vdc	04	0004, 0041	83C0, 4001
3	ST-1218	8-sinking input, 24Vdc	07	0007, 0041	00C0, 4001
4	ST-1228	8-sourcing input, 24Vdc	08	0008, 0041	00C0, 4001
5	ST-121F	16-sinking input, 24Vdc	13	0013, 0141	01C0, 4001
6	ST-122F	16-sourcing input, 24Vdc	14	0014, 0141	01C0, 4001
7	ST-1314	4-sinking input, 48Vdc	05	0005, 0041	83C0, 4001
8	ST-1324	4-sourcing input, 48Vdc	06	0006, 0041	83C0, 4001
9	ST-1804	4-ac input, 110Vac	09	0009, 0041	83C0, 4001
10	ST-1904	4-ac input, 220Vac	0A	000A, 0041	83C0, 4001
11	ST-2314	4-sinking output, 24Vdc 0.5A	0E	000E, 0081	C083, 8001
12	ST-2324	4-sourcing output, 24Vdc 0.5A	10	0010, 0081	C083, 8001
13	ST-2318	8-sinking output, 24Vdc 0.5A	11	0011, 0081	C000, 8001
14	ST-2328	8-sourcing output, 24Vdc 0.5A	12	0012, 0081	C000, 8001
15	ST-221F	16-sinking output, 24Vdc 0.3A	15	0015, 0181	C001, 8001
16	ST-222F	16-sourcing output, 24Vdc 0.3A	16	0016, 0181	C001, 8001
17	ST-2414	4-sinking output, diag, 24Vdc 0.5A	37	3700, 00C1	8383, C001
18	ST-2424	4-sourcing output, diag, 24Vdc 0.5A	38	3800, 00C1	8383, C001
19	ST-2514	4-sinking output, diag, 24Vdc 2A	35	3500, 00C1	8383, C001
20	ST-2524	4-sourcing output, diag, 24Vdc 2A	36	3600, 00C1	8383, C001
21	ST-2742	2-relay output, 230Vac 2A	0B	000B, 0081	C081, 8001
22	ST-2852	2-triac output, 120Vac 0.5A	0C	000C, 0081	C081, 8001
23	ST-3114	4-current analog input, 0~20mA, 12bit	1C	001C, 4341	43C0, 6003
24	ST-3134	4-current analog input, 0~20mA, 14bit	1E	001E, 4341	43C0, 6003
25	ST-3214	4-current analog input, 4~20mA, 12bit	1D	001D, 4341	43C0, 6803
26	ST-3234	4-current analog input, 4~20mA, 14bit	1F	001F, 4341	43C0, 6803
27	ST-3424	4-voltage analog input, 0~10V, 12bit	20	0020, 4341	43C0, 6003
28	ST-3444	4-voltage analog input, 0~10V, 14bit	22	0022, 4341	43C0, 6003
29	ST-3524	4-voltage analog input, -10~10V, 12bit	21	0021, 4341	43C0, 6003
30	ST-3544	4-voltage analog input, -10~10V, 14bit	23	0023, 4341	43C0, 6003
31	ST-3624	4-voltage analog input, 0~5V, 12bit	24	0024, 4341	43C0, 6003
32	ST-3644	4-voltage analog input, 0~5V, 14bit	25	0025, 4341	43C0, 6003
33	ST-3702	2-RTD/Resistance input	28	0028, 4141	41C0, 6803
34	ST-3802	2-Thermocouple/mV input	2A	002A, 4141	41C0, 6803
35	ST-4112	2-current analog output, 0~20mA, 12bit	2C	002C, 4181	C041, A003
36	ST-4212	2-current analog output, 4~20mA, 12bit	2D	002D, 4181	C041, A003
37	ST-4422	2-voltage analog output, 0~10Vdc, 12bit	2E	002E, 4181	C041, A003
38	ST-4522	2-voltage analog output, -10~10Vdc, 12bit	2F	002F, 4181	C041, A003
39	ST-4622	2-voltage analog output, 0~5Vdc, 12bit	30	0030, 4181	C041, A003
40	ST-5101	1 Channel, High Speed Counter, 5Vdc	34	3405, 01C1	0501, D003
41	ST-5111	1 Channel, High Speed Counter, 24Vdc	39	3905, 01C1	0501, D003
42	ST-5241*	2-Axes Motion Controller	41	4107, 07C1	0707, D001
43	ST-5211*	RS232 Communication, 1Channel, RTS/CTS Flow Control	42	4205, 05C1	0505, D001

44	ST-5212*	RS232 Communication, 2Channel	43	430B, 0BC1	0B0B, D001
45	ST-5221*	RS422 Communication, 1Channel	44	4405, 05C1	0505, D001
46	ST-5231*	RS485 Communication, 1Channel	45	4505, 05C1	0505, D001
47	ST-5232*	RS485 Communication, 2Channel	46	460B, 0BC1	0B0B, D001
48		4-input, 5Vdc **			
49		4-output, 5Vdc 20mA **			

* Under development.

** Under planning.

A.2. Configuration Parameter

A.2.1. ST-1214 (4-sinking input, 24Vdc)

- Valid Parameter length: 0 bytes
- Parameter Data: All of Parameter Data is not used.

A.2.2. ST-1224 (4-sourcing input, 24Vdc)

- Valid Parameter length: 0 bytes
- Parameter Data: All of Parameter Data is not used.

A.2.3. ST-1218 (8-sinking input, 24Vdc)

- Valid Parameter length: 0 bytes
- Parameter Data: All of Parameter Data is not used.

A.2.4. ST-1228 (8-sourcing input, 24Vdc)

- Valid Parameter length: 0 bytes
- Parameter Data: All of Parameter Data is not used.

A.2.5. ST-121F (16-sinking input, 24Vdc)

- Valid Parameter length: 0 bytes
- Parameter Data: All of Parameter Data is not used.

A.2.6. ST-122F (16-sourcing input, 24Vdc)

- Valid Parameter length: 0 bytes
- Parameter Data: All of Parameter Data is not used.

A.2.7. ST-1314 (4-sinking input, 48Vdc)

- Valid Parameter length: 0 bytes
- Parameter Data: All of Parameter Data is not used.

A.2.8. ST-1324 (4-sourcing input, 48Vdc)

- Valid Parameter length: 0 bytes
- Parameter Data: All of Parameter Data is not used.

A.2.9. ST-1804 (4-ac input, 110Vac)

- Valid Parameter length: 0 bytes
- Parameter Data: All of Parameter Data is not used.

A.2.10. ST-1904 (4-ac input, 220Vac)

- Valid Parameter length: 0 bytes
- Parameter Data: All of Parameter Data is not used.

A.2.11. ST-2314 (4-sinking output, 24Vdc 0.5A)

- Valid Parameter length: 2 bytes
- Parameter Data:

Offset	Decimal Bit	Description	Default Value
0	00-03	Fault Action (ch0~ch3) 0: Fault Value, 1: Hold last state	0 (Fault Value)
	04-07	Reserved	0
1	00-03	Fault Value (ch0~ch3) 0: off, 1: on	0 (off)
	04-07	Reserved	0
2	00-07	Not used	0
3	00-07	Not used	0
4	00-07	Not used	0
5	00-07	Not used	0
6	00-07	Not used	0
7	00-07	Not used	0

* All values are stored in Adapter's EEPROM.

A.2.12. ST-2324 (4-sourcing output, 24Vdc 0.5A)

- Valid Parameter length: 2 bytes
- Parameter Data:

Offset	Decimal Bit	Description	Default Value
0	00-03	Fault Action (ch0~ch3) 0: Fault Value, 1: Hold last state	0 (Fault Value)
	04-07	Reserved	0
1	00-03	Fault Value (ch0~ch3) 0: off, 1: on	0 (off)
	04-07	Reserved	0
2	00-07	Not used	0
3	00-07	Not used	0
4	00-07	Not used	0
5	00-07	Not used	0
6	00-07	Not used	0
7	00-07	Not used	0

* All values are stored in Adapter's EEPROM.

A.2.13. ST-2318 (8-sinking output, 24Vdc 0.5A)

- Valid Parameter length: 2 bytes
- Parameter Data:

Offset	Decimal Bit	Description	Default Value
0	00-07	Fault Action (ch0~ch7) 0: Fault Value, 1: Hold last state	0 (Fault Value)
1	00-07	Fault Value (ch0~ch7) 0: off, 1: on	0 (off)
2	00-07	Not used	0
3	00-07	Not used	0
4	00-07	Not used	0
5	00-07	Not used	0
6	00-07	Not used	0
7	00-07	Not used	0

* All values are stored in Adapter's EEPROM.

A.2.14. ST-2328 (8-sourcing output, 24Vdc 0.5A)

- Valid Parameter length: 2 bytes
- Parameter Data:

Parameter Data:

Offset	Decimal Bit	Description	Default Value
0	00-07	Fault Action (ch0~ch7) 0: Fault Value, 1: Hold last state	0 (Fault Value)
1	00-07	Fault Value (ch0~ch7) 0: off, 1: on	0 (off)
2	00-07	Not used	0
3	00-07	Not used	0
4	00-07	Not used	0
5	00-07	Not used	0
6	00-07	Not used	0
7	00-07	Not used	0

* All values are stored in Adapter's EEPROM.

A.2.15. ST-221F (16-sinking output, 24Vdc 0.3A)

- Valid Parameter length: 4 bytes
- Parameter Data:

Offset	Decimal Bit	Description	Default Value
0	00-07	Fault Action (ch0~ch7) 0: Fault Value, 1: Hold last state	0 (Fault Value)
1	00-07	Fault Action (ch8~ch15) 0: Fault Value, 1: Hold last state	0 (Fault Value)
2	00-07	Fault Value (ch0~ch7) 0: off, 1: on	0 (off)
3	00-07	Fault Value (ch8~ch15) 0: off, 1: on	0 (off)
4	00-07	Not used	0
5	00-07	Not used	0
6	00-07	Not used	0
7	00-07	Not used	0

* All values are stored in Adapter's EEPROM.

A.2.16. ST-222F (16-sourcing output, 24Vdc 0.3A)

- Valid Parameter length: 4 bytes
- Parameter Data:

Offset	Decimal Bit	Description	Default Value
0	00-07	Fault Action (ch0~ch7) 0: Fault Value, 1: Hold last state	0 (Fault Value)
1	00-07	Fault Action (ch8~ch15) 0: Fault Value, 1: Hold last state	0 (Fault Value)
2	00-07	Fault Value (ch0~ch7) 0: off, 1: on	0 (off)
3	00-07	Fault Value (ch8~ch15) 0: off, 1: on	0 (off)
4	00-07	Not used	0
5	00-07	Not used	0
6	00-07	Not used	0
7	00-07	Not used	0

* All values are stored in Adapter's EEPROM.

A.2.17. ST-2414 (4-sinking output, Diag, 24Vdc 0.5A)

- Valid Parameter length: 2 bytes
- Parameter Data:

Offset	Decimal Bit	Description	Default Value
0	00-03	Fault Action (ch0~ch3) 0: Fault Value, 1: Hold last state	0 (Fault Value)
	04-07	Reserved	0
1	00-03	Fault Value (ch0~ch3) 0: off, 1: on	0 (off)
	04-07	Reserved	0
2	00-07	Not used	0
3	00-07	Not used	0
4	00-07	Not used	0
5	00-07	Not used	0
6	00-07	Not used	0
7	00-07	Not used	0

* All values are stored in Adapter's EEPROM.

A.2.18. ST-2424 (4-sourcing output, Diag, 24Vdc 0.5A)

- Valid Parameter length: 2 bytes
- Parameter Data:

Offset	Decimal Bit	Description	Default Value
0	00-03	Fault Action (ch0~ch3) 0: Fault Value, 1: Hold last state	0 (Fault Value)
	04-07	Reserved	0
1	00-03	Fault Value (ch0~ch3) 0: off, 1: on	0 (off)
	04-07	Reserved	0
2	00-07	Not used	0
3	00-07	Not used	0
4	00-07	Not used	0
5	00-07	Not used	0
6	00-07	Not used	0
7	00-07	Not used	0

* All values are stored in Adapter's EEPROM.

A.2.19. ST-2514 (4-sinking output, Diag, 24Vdc 2A)

- Valid Parameter length: 2 bytes
- Parameter Data:

Offset	Decimal Bit	Description	Default Value
0	00-03	Fault Action (ch0~ch3) 0: Fault Value, 1: Hold last state	0 (Fault Value)
	04-07	Reserved	0
1	00-03	Fault Value (ch0~ch3) 0: off, 1: on	0 (off)
	04-07	Reserved	0
2	00-07	Not used	0
3	00-07	Not used	0
4	00-07	Not used	0
5	00-07	Not used	0
6	00-07	Not used	0

7	00-07	Not used	0
---	-------	----------	---

* All values are stored in Adapter's EEPROM.

A.2.20. ST-2524 (4-sourcing output, Diag, 24Vdc 2A)

- Valid Parameter length: 2 bytes
- Parameter Data:

Offset	Decimal Bit	Description	Default Value
0	00-03	Fault Action (ch0~ch3) 0: Fault Value, 1: Hold last state	0 (Fault Value)
	04-07	Reserved	0
1	00-03	Fault Value (ch0~ch3) 0: off, 1: on	0 (off)
	04-07	Reserved	0
2	00-07	Not used	0
3	00-07	Not used	0
4	00-07	Not used	0
5	00-07	Not used	0
6	00-07	Not used	0
7	00-07	Not used	0

* All values are stored in Adapter's EEPROM.

A.2.21. ST-2742 (2-relay output, 230Vac 2A)

- Valid Parameter length: 2 bytes
- Parameter Data:

Offset	Decimal Bit	Description	Default Value
0	00, 01	Fault Action (ch0, ch1) 0: Fault Value, 1: Hold last state	0 (Fault Value)
	02-07	Reserved	0
1	00, 01	Fault Value (ch0, ch1) 0: off, 1: on	0 (off)
	02-07	Reserved	0
2	00-07	Not used	0
3	00-07	Not used	0
4	00-07	Not used	0
5	00-07	Not used	0
6	00-07	Not used	0
7	00-07	Not used	0

* All values are stored in Adapter's EEPROM.

A.2.22. ST-2852 (2-triac output, 120Vac 0.5A)

- Valid Parameter length: 2 bytes
- Parameter Data:

Offset	Decimal Bit	Description	Default Value
0	00, 01	Fault Action (ch0, ch1) 0: Fault Value, 1: Hold last state	0 (Fault Value)
	02-07	Reserved	0
1	00, 01	Fault Value (ch0, ch1) 0: off, 1: on	0 (off)
	02-07	Reserved	0
2	00-07	Not used	0
3	00-07	Not used	0
4	00-07	Not used	0

5	00-07	Not used	0
6	00-07	Not used	0
7	00-07	Not used	0

* All values are stored in Adapter's EEPROM.

A.2.23. ST-3114 (4-current analog input, 0~20mA, 12bit)

- Valid Parameter length: 0 bytes
- Parameter Data: All of Parameter Data is not used.

A.2.24. ST-3134 (4-current analog input, 0~20mA, 14bit)

- Valid Parameter length: 0 bytes
- Parameter Data: All of Parameter Data is not used.

A.2.25. ST-3214 (4-current analog input, 4~20mA, 12bit)

- Valid Parameter length: 0 bytes
- Parameter Data: All of Parameter Data is not used.

A.2.26. ST-3234 (4-current analog input, 4~20mA, 14bit)

- Valid Parameter length: 0 bytes
- Parameter Data: All of Parameter Data is not used.

A.2.27. ST-3424 (4-voltage analog input, 0~10V, 12bit)

- Valid Parameter length: 0 bytes
- Parameter Data: All of Parameter Data is not used.

A.2.28. ST-3444 (4-voltage analog input, 0~10V, 14bit)

- Valid Parameter length: 0 bytes
- Parameter Data: All of Parameter Data is not used.

A.2.29. ST-3524 (4-voltage analog input, -10~10V, 12bit)

- Valid Parameter length: 0 bytes
- Parameter Data: All of Parameter Data is not used.

A.2.30. ST-3544 (4-voltage analog input, -10~10V, 14bit)

- Valid Parameter length: 0 bytes
- Parameter Data: All of Parameter Data is not used.

A.2.31. ST-3624 (4-voltage analog input, 0~5V, 12bit)

- Valid Parameter length: 0 bytes
- Parameter Data: All of Parameter Data is not used.

A.2.32. ST-3644 (4-voltage analog input, 0~5V, 14bit)

- Valid Parameter length: 0 bytes
- Parameter Data: All of Parameter Data is not used.

A.2.33. ST-3702 (2- RTD/Resistance input)

- Valid Parameter length: 2 bytes
- Parameter Data:

Offset	Decimal Bit	Description	Default Value
0	00-07	The selection Sensor Type =00h:PT100, 0.00385, -200~850°C, 0.1°C/count =01h:PT200, 0.00385, -200~850°C, 0.1°C/count =02h:PT500, 0.00385, -200~850°C, 0.1°C/count =03h:PT1000, 0.00385, -200~350°C, 0.1°C/count =04h:PT50, 0.00385, -200~850°C, 0.1°C/count =10h:JPT100, 0.003916, -200~640°C, 0.1°C/count =11h:JPT200, 0.003916, -200~640°C, 0.1°C/count =12h:JPT500, 0.003916, -200~640°C, 0.1°C/count =13h:JPT1000, 0.003916, -200~350°C, 0.1°C/count =20h:NI100, 0.00618, -60~250°C, 0.1°C/count =21h:NI200, 0.00618, -60~250°C, 0.1°C/count =22h:NI500, 0.00618, -60~250°C, 0.1°C/count =23h:NI1000, 0.00618, -60~180°C, 0.1°C/count =30h:NI120, 0.00672, -80~250°C, 0.1°C/count =40h:CU10, 0.00427, -200~260°C, 0.1°C/count =80h:Resistance Input, 1~2000Ω, 100mΩ/1count =81h: Resistance Input, 1~327Ω, 10mΩ/1count =82h: Resistance Input, 1~620Ω, 20mΩ/1count =Others: Reserved	0: PT100
1	00	Temperature Type 0: Celsius(°C), 1: Fahrenheit(°F)	0: Celsius(°C)
	01-03	Reserved	0
	04	Filter Type 0: Normal Filter, 1: Enhanced Filter	0: Normal Filter
	05-07	Reserved	0
2	00-07	Not used	0
3	00-07	Not used	0
4	00-07	Not used	0
5	00-07	Not used	0
6	00-07	Not used	0
7	00-07	Not used	0

* All values are stored in Adapter's EEPROM.

A.2.34. ST-3802 (2- Thermocouple/mV input)

- Valid Parameter length: 2 bytes
- Parameter Data:

Offset	Decimal Bit	Description	Default Value
0	00-07	The selection Sensor Type =00h: Type K, 0.1°C/count =01h: Type J, 0.1°C/count =02h: Type T, 0.1°C/count =03h: Type B, 0.1°C/count =04h: Type R, 0.1°C/count =05h: Type S, 0.1°C/count =06h: Type E, 0.1°C/count =07h: Type N, 0.1°C/count =08h: Type L, 0.1°C/count =09h: Type U, 0.1°C/count =0Ah: Type C, 0.1°C/count =0Bh: Type D, 0.1°C/count =80h: 10uV Input, -78.0~78.0mV, 10uV/count =81h: 1uV Input, -32.7~32.7mV, 1uV/count =82h: 2uV Input, -65.5~65.5mV, 2uV/count =Others: Reserved	0: Type K
1	00	Temperature Type 0: Celsius(°C), 1: Fahrenheit(°F)	0: Celsius(°C)
	01	0: Cold Junction Compensation 1: Disable Compensation	0
	02, 03	Reserved	0
	04	Filter Type 0: Normal Filter, 1: Enhanced Filter	0: Normal Filter
	05-07	Reserved	0
2	00-07	Not used	0
3	00-07	Not used	0
4	00-07	Not used	0
5	00-07	Not used	0
6	00-07	Not used	0
7	00-07	Not used	0

* All values are stored in Adapter's EEPROM.

A.2.35. ST-4112 (2-current analog output, 0~20mA, 12bit)

A.2.36. ST-4212 (2-current analog output, 4~20mA, 12bit)

A.2.37. ST-4422 (2-voltage analog output, 0~10Vdc, 12bit)

A.2.38. ST-4522 (2-voltage analog output, -10~10Vdc, 12bit)

A.2.39. ST-4622 (2-voltage analog output, 0~5Vdc, 12bit)

Valid Parameter length: 6 bytes

Parameter Data:

Offset	Decimal Bit	Description	Default Value
0	00-01	Fault Action for channel 0 00: Fault Value, 01: Hold last state, 10: Low Limit, 11:High Limit	0 (Fault Value)
	02-03	Fault Action for channel 0 00: Fault Value, 01: Hold last state, 10: Low Limit, 11:High Limit	0 (Fault Value)
	04-07	Reserved	0
1	00-07	Reserved	0
2	00-07	Channel 0 Fault Value Low Byte	0
3	00-03	Channel 0 Fault Value High Byte	0
	04-07	Reserved	0
4	00-07	Channel 1 Fault Value Low Byte	0
5	00-03	Channel 1 Fault Value High Byte	0
	04-07	Reserved	0
6	00-07	Not used	0
7	00-07	Not used	0

* All values are stored in Adapter's EEPROM.

A.2.40. ST-5101 (1 Channel High Speed Counter 5Vdc)

A.2.41. ST-5111 (1 Channel High Speed Counter 24Vdc)

Valid Parameter length: 6 bytes

Parameter Data:

Offset	Decimal Bit	Description	Default Value
0	00-03	Counter Mode	0
	04-07	Gate Function	0
1	00-03	Input Filter	0
	04-07	Gate Sampling Time	0
2	00-07	Not used	0
3	00-07	Not used	0
4	00-07	Not used	0
5	00-07	Not used	0
6	00-07	Not used	0
7	00-07	Not used	0

* All values are stored in Adapter's EEPROM.

A.3. Memory Register

A.3.1. ST-1214 (4-sinking input, 24Vdc)

- Memory Register length: 0 bytes
- Memory Register: none

A.3.2. ST-1224 (4-sourcing input, 24Vdc)

- Memory Register length: 0 bytes
- Memory Register: none

A.3.3. ST-1218 (8-sinking input, 24Vdc)

- Memory Register length: 0 bytes
- Memory Register: none

A.3.4. ST-1228 (8-sourcing input, 24Vdc)

- Memory Register length: 0 bytes
- Memory Register: none

A.3.5. ST-121F (16-sinking input, 24Vdc)

- Memory Register length: 0 bytes
- Memory Register: none

A.3.6. ST-122F (16-sourcing input, 24Vdc)

- Memory Register length: 0 bytes
- Memory Register: none

A.3.7. ST-1314 (4-sinking input, 48Vdc)

- Memory Register length: 0 bytes
- Memory Register: none

A.3.8. ST-1324 (4-sourcing input, 48Vdc)

- Memory Register length: 0 bytes
- Memory Register: none

A.3.9. ST-1804 (4-ac input, 110Vac)

- Memory Register length: 0 bytes
- Memory Register: none

A.3.10. ST-1904 (4-ac input, 220Vac)

- Memory Register length: 0 bytes
- Memory Register: none

A.3.11. ST-2314 (4-sinking output, 24Vdc 0.5A)

- Memory Register length: 0 bytes
- Memory Register: none

A.3.12. ST-2324 (4-sourcing output, 24Vdc 0.5A)

- Memory Register length: 0 bytes
- Memory Register: none

A.3.13. ST-2318 (8-sinking output, 24Vdc 0.5A)

- Memory Register length: 0 bytes
- Memory Register: none

A.3.14. ST-2328 (8-sourcing output, 24Vdc 0.5A)

- Memory Register length: 0 bytes
- Memory Register: none

A.3.15. ST-221F (16-sinking output, 24Vdc 0.1A)

- Memory Register length: 0 bytes
- Memory Register: none

A.3.16. ST-222F (16-sourcing output, 24Vdc 0.1A)

- Memory Register length: 0 bytes
- Memory Register: none

A.3.17. ST-2414 (4-sinking output, Diag, 24Vdc 0.5A)

- Memory Register length: 0 bytes
- Memory Register: none

A.3.18. ST-2424 (4-sourcing output, Diag, 24Vdc 0.5A)

- Memory Register length: 0 bytes
- Memory Register: none

A.3.19. ST-2514 (4-sinking output, Diag, 24Vdc 2A)

- Memory Register length: 0 bytes
- Memory Register: none

A.3.20. ST-2524 (4-sourcing output, Diag, 24Vdc 2A)

- Memory Register length: 0 bytes
- Memory Register: none

A.3.21. ST-2742 (2-relay output, 230Vac 2A)

- Memory Register length: 0 bytes
- Memory Register: none

A.3.22. ST-2852 (2-triac output, 120Vac 0.5A)

- Memory Register length: 0 bytes
- Memory Register: none

A.3.23. ST-3114 (4-current analog input, 0~20mA, 12bit)

- Memory Register length: 10 bytes
- Memory Register:

Offset	Access	Decimal Bit	Description	Default Value
0	R	00-07	Channel 0 Input Data Low 8 bits	
1	R	00-03	Channel 0 Input Data High 4 bits	
		04-07	not used	0
2	R	00-07	Channel 1 Input Data Low 8 bits	
3	R	00-03	Channel 1 Input Data High 4 bits	
		04-07	not used	0
4	R	00-07	Channel 2 Input Data Low 8 bits	
5	R	00-03	Channel 2 Input Data High 4 bits	
		04-07	not used	0
6	R	00-07	Channel 3 Input Data Low 8 bits	
7	R	00-03	Channel 3 Input Data High 4 bits	
		04-07	not used	0
8	R	00-07	Reserved	0
9	R	00-07	Reserved	0

A.3.24. ST-3134 (4-current analog input, 0~20mA, 14bit)

- Memory Register length: 10 bytes
- Memory Register:

Offset	Access	Decimal Bit	Description	Default Value
0	R	00-07	Channel 0 Input Data Low 8 bits	
1	R	00-05	Channel 0 Input Data High 6 bits	
		06, 07	not used	0
2	R	00-07	Channel 1 Input Data Low 8 bits	
3	R	00-05	Channel 1 Input Data High 6 bits	
		06, 07	not used	0
4	R	00-07	Channel 2 Input Data Low 8 bits	
5	R	00-05	Channel 2 Input Data High 6 bits	
		06, 07	not used	0
6	R	00-07	Channel 3 Input Data Low 8 bits	
7	R	00-05	Channel 3 Input Data High 6 bits	
		06, 07	not used	0
8	R	00-07	Reserved	0
9	R	00-07	Reserved	0

A.3.25. ST-3214 (4-current analog input, 4~20mA, 12bit)

- Memory Register length: 10 bytes
- Memory Register:

Offset	Access	Decimal Bit	Description	Default Value
0	R	00-07	Channel 0 Input Data Low 8 bits	
1	R	00-03	Channel 0 Input Data High 4 bits	
		04-07	not used	0
2	R	00-07	Channel 1 Input Data Low 8 bits	
3	R	00-03	Channel 1 Input Data High 4 bits	
		04-07	not used	0
4	R	00-07	Channel 2 Input Data Low 8 bits	
5	R	00-03	Channel 2 Input Data High 4 bits	
		04-07	not used	0
6	R	00-07	Channel 3 Input Data Low 8 bits	
7	R	00-03	Channel 3 Input Data High 4 bits	
		04-07	not used	0
8	R	00-03	Alarm Status Bit for individual channels - Bit 00 corresponds to input channel 0, bit 01 corresponds to input channel 1, and so on. When set(1), the input signal is below the input channel's minimum range(3mA). And Input Data will be 0x8000(-32678)	
		04-07	Reserved	0
9	R	00-07	Reserved	0

A.3.26. ST-3234 (4-current analog input, 4~20mA, 14bit)

- Memory Register length: 10 bytes
- Memory Register:

Offset	Access	Decimal Bit	Description	Default Value
0	R	00-07	Channel 0 Input Data Low 8 bits	
1	R	00-05	Channel 0 Input Data High 6 bits	
		06, 07	not used	0
2	R	00-07	Channel 1 Input Data Low 8 bits	
3	R	00-05	Channel 1 Input Data High 6 bits	
		06, 07	not used	0
4	R	00-07	Channel 2 Input Data Low 8 bits	
5	R	00-05	Channel 2 Input Data High 6 bits	
		06, 07	not used	0
6	R	00-07	Channel 3 Input Data Low 8 bits	
7	R	00-05	Channel 3 Input Data High 6 bits	
		06, 07	not used	0
8	R	00-03	Alarm Status Bit for individual channels - Bit 00 corresponds to input channel 0, bit 01 corresponds to input channel 1, and so on. When set(1), the input signal is below the input channel's minimum range(3mA). And Input Data will be 0x8000(-32678)	
		04-07	Reserved	0
9	R	00-07	Reserved	0

A.3.27. ST-3424 (4-voltage analog input, 0~10V, 12bit)

- Memory Register length: 10 bytes
- Memory Register:

Offset	Access	Decimal Bit	Description	Default Value
0	R	00-07	Channel 0 Input Data Low 8 bits	
1	R	00-03	Channel 0 Input Data High 4 bits	
		04-07	not used	0
2	R	00-07	Channel 1 Input Data Low 8 bits	
3	R	00-03	Channel 1 Input Data High 4 bits	
		04-07	not used	0
4	R	00-07	Channel 2 Input Data Low 8 bits	
5	R	00-03	Channel 2 Input Data High 4 bits	
		04-07	not used	0
6	R	00-07	Channel 3 Input Data Low 8 bits	
7	R	00-03	Channel 3 Input Data High 4 bits	
		04-07	not used	0
8	R	00-07	Reserved	0
9	R	00-07	Reserved	0

A.3.28. ST-3444 (4-voltage analog input, 0~10V, 14bit)

- Memory Register length: 10 bytes
- Memory Register:

Offset	Access	Decimal Bit	Description	Default Value
0	R	00-07	Channel 0 Input Data Low 8 bits	
1	R	00-05	Channel 0 Input Data High 6 bits	
		06, 07	not used	0
2	R	00-07	Channel 1 Input Data Low 8 bits	
3	R	00-05	Channel 1 Input Data High 6 bits	
		06, 07	not used	0
4	R	00-07	Channel 2 Input Data Low 8 bits	
5	R	00-05	Channel 2 Input Data High 6 bits	
		06, 07	not used	0
6	R	00-07	Channel 3 Input Data Low 8 bits	
7	R	00-05	Channel 3 Input Data High 6 bits	
		06, 07	not used	0
8	R	00-07	Reserved	0
9	R	00-07	Reserved	0

A.3.29. ST-3524 (4-voltage analog input, -10~10V, 12bit)

- Memory Register length: 10 bytes
- Memory Register:

Offset	Access	Decimal Bit	Description	Default Value
0	R	00-07	Channel 0 Input Data Low 8 bits	
1	R	00-06	Channel 0 Input Data High 7 bits	
		07	Sign Bit	
2	R	00-07	Channel 1 Input Data Low 8 bits	
3	R	00-06	Channel 1 Input Data High 7 bits	
		07	Sign Bit	0
4	R	00-07	Channel 2 Input Data Low 8 bits	
5	R	00-06	Channel 2 Input Data High 7 bits	
		07	Sign Bit	0
6	R	00-07	Channel 3 Input Data Low 8 bits	
7	R	00-06	Channel 3 Input Data High 7 bits	
		07	Sign Bit	0
8	R	00-07	Reserved	0
9	R	00-07	Reserved	0

A.3.30. ST-3544 (4-voltage analog input, -10~10V, 14bit)

- Memory Register length: 10 bytes
- Memory Register:

Offset	Access	Decimal Bit	Description	Default Value
0	R	00-07	Channel 0 Input Data Low 8 bits	
1	R	00-06	Channel 0 Input Data High 7 bits	
		07	Sign Bit	
2	R	00-07	Channel 1 Input Data Low 8 bits	
3	R	00-06	Channel 1 Input Data High 7 bits	
		07	Sign Bit	0
4	R	00-07	Channel 2 Input Data Low 8 bits	
5	R	00-06	Channel 2 Input Data High 7 bits	
		07	Sign Bit	0
6	R	00-07	Channel 3 Input Data Low 8 bits	
7	R	00-06	Channel 3 Input Data High 7 bits	
		07	Sign Bit	0
8	R	00-07	Reserved	0
9	R	00-07	Reserved	0

A.3.31. ST-3624 (4-voltage analog input, 0~5V, 12bit)

- Memory Register length: 10 bytes
- Memory Register:

Offset	Access	Decimal Bit	Description	Default Value
0	R	00-07	Channel 0 Input Data Low 8 bits	
1	R	00-03	Channel 0 Input Data High 4 bits	
		04-07	not used	0
2	R	00-07	Channel 1 Input Data Low 8 bits	
3	R	00-03	Channel 1 Input Data High 4 bits	
		04-07	not used	0
4	R	00-07	Channel 2 Input Data Low 8 bits	
5	R	00-03	Channel 2 Input Data High 4 bits	
		04-07	not used	0
6	R	00-07	Channel 3 Input Data Low 8 bits	
7	R	00-03	Channel 3 Input Data High 4 bits	
		04-07	not used	0
8	R	00-07	Reserved	0
9	R	00-07	Reserved	0

A.3.32. ST-3644 (4-voltage analog input, 0~5V, 14bit)

- Memory Register length: 10 bytes
- Memory Register:

Offset	Access	Decimal Bit	Description	Default Value
0	R	00-07	Channel 0 Input Data Low 8 bits	
1	R	00-05	Channel 0 Input Data High 6 bits	
		06, 07	not used	0
2	R	00-07	Channel 1 Input Data Low 8 bits	
3	R	00-05	Channel 1 Input Data High 6 bits	
		06, 07	not used	0
4	R	00-07	Channel 2 Input Data Low 8 bits	
5	R	00-05	Channel 2 Input Data High 6 bits	
		06, 07	not used	0
6	R	00-07	Channel 3 Input Data Low 8 bits	
7	R	00-05	Channel 3 Input Data High 6 bits	
		06, 07	not used	0
8	R	00-07	Reserved	0
9	R	00-07	Reserved	0

A.3.33. ST-3702 (2- RTD/Resistance input)

- Memory Register length: 8 bytes
- Memory Register:

Offset	Access	Decimal Bit	Description	Default Value
0	R	00-07	Channel 0 Input Data Low 8 bits	
1	R	00-06	Channel 0 Input Data High 7 bits	
		07	Sign Bit	
2	R	00-07	Channel 1 Input Data Low 8 bits	
3	R	00-06	Channel 1 Input Data High 7 bits	
		07	Sign Bit	
4	R/W	00-07	Sensor Type (same as A.3.31)	0
5	R/W	00-07	Temperature Type (same as A.3.31)	0
6	R	00, 01	Alarm Status Bit for individual channels - Bit 00 corresponds to input channel 0, bit 01 corresponds to input channel 1. When set(1), the input signal is below the input channel's minimum range or above the input channel's maximum range. And Input Data will be 0x8000(-32678)	
		02-07	Reserved	0
7	R	00-07	Reserved	

* Offset 4,5: All values are not stored in Adapter's EEPROM.

A.3.34. ST-3802 (2- Thermocouple/mV input)

- Memory Register length: 12 bytes
- Memory Register:

Offset	Access	Decimal Bit	Description	Default Value
0	R	00-07	Channel 0 Input Data Low 8 bits	
1	R	00-06	Channel 0 Input Data High 7 bits	
		07	Sign Bit	
2	R	00-07	Channel 1 Input Data Low 8 bits	
3	R	00-06	Channel 1 Input Data High 7 bits	
		07	Sign Bit	
4	R/W	00-07	Sensor Type (same as A.3.32)	0
5	R/W	00-07	Temperature Type (same as A.3.32)	0
6	R	00, 01	Alarm Status Bit for individual channels - Bit 00 corresponds to input channel 0, bit 01 corresponds to input channel 1. When set(1), the input signal is below the input channel's minimum range or above the input channel's maximum range. And Input Data will be 0x8000(-32678)	
		02-07	Reserved	0
7	R	00, 01	Burn-Out Bit for individual channels - Bit 00 corresponds to input channel 0, bit 01 corresponds to input channel 1. When set(1), the input channel is burn-out. And Input Data will be 0x8000(-32678)	
		02-07	Reserved	0
8	R	00-07	Cold Junction Low 8 bits	
9	R	00-07	Cold Junction High 8 bits	
10	R/W	00-07	Cold Junction Offset Low 8 bits	
11	R/W	00-07	Cold Junction Offset High 8 bits	

* Offset 4,5,10,11: All values are not stored in Adapter's EEPROM.

A.3.35. ST-4112 (2-current analog output, 0~20mA, 12bit)

- Memory Register length: 12 bytes
- Memory Register:

Offset	Access	Decimal Bit	Description	Default Value
0	R	00-07	Channel 0 Output Data Low 8 bits	0
1	R	00-03	Channel 0 Output Data High 4 bits	0
		04-07	not used	0
2	R	00-07	Channel 1 Output Data Low 8 bits	0
3	R	00-03	Channel 1 Output Data High 4 bits	0
		04-07	not used	0
4	R	00-07	Reserved	0
5	R	00-07	Reserved	0
6	R/W	00-07	Fault Action (Same as A.3.35)	0
7	R/W	00-07	Reserved	0
8	R/W	00-07	Channel 0 Fault Value Low Byte (Same as A.3.35)	0
9	R/W	00-07	Channel 0 Fault Value High Byte (Same as A.3.35)	0
10	R/W	00-07	Channel 1 Fault Value Low Byte (Same as A.3.35)	0
11	R/W	00-07	Channel 1 Fault Value High Byte (Same as A.3.35)	0

* Offset 6-11: All values are not stored in Adapter's EEPROM.

A.3.36. ST-4212 (2-current analog output, 4~20mA, 12bit)

- Memory Register length: 12 bytes
- Memory Register:

Offset	Access	Decimal Bit	Description	Default Value
0	R	00-07	Channel 0 Output Data Low 8 bits	0
1	R	00-03	Channel 0 Output Data High 4 bits	0
		04-07	not used	0
2	R	00-07	Channel 1 Output Data Low 8 bits	0
3	R	00-03	Channel 1 Output Data High 4 bits	0
		04-07	not used	0
4	R	00-07	Reserved	0
5	R	00-07	Reserved	0
6	R/W	00-07	Fault Action (Same as A.3.35)	0
7	R/W	00-07	Reserved	0
8	R/W	00-07	Channel 0 Fault Value Low Byte (Same as A.3.35)	0
9	R/W	00-07	Channel 0 Fault Value High Byte (Same as A.3.35)	0
10	R/W	00-07	Channel 1 Fault Value Low Byte (Same as A.3.35)	0
11	R/W	00-07	Channel 1 Fault Value High Byte (Same as A.3.35)	0

* Offset 6-11: All values are not stored in Adapter's EEPROM.

A.3.37. ST-4422 (2-voltage analog output, 0~10Vdc, 12bit)

- Memory Register length: 12 bytes
- Memory Register:

Offset	Access	Decimal Bit	Description	Default Value
0	R	00-07	Channel 0 Output Data Low 8 bits	0
1	R	00-03	Channel 0 Output Data High 4 bits	0
		04-07	not used	0
2	R	00-07	Channel 1 Output Data Low 8 bits	0
3	R	00-03	Channel 1 Output Data High 4 bits	0
		04-07	not used	0
4	R	00-07	Reserved	0
5	R	00-07	Reserved	0
6	R/W	00-07	Fault Action (Same as A.3.35)	0
7	R/W	00-07	Reserved	0
8	R/W	00-07	Channel 0 Fault Value Low Byte (Same as A.3.35)	0
9	R/W	00-07	Channel 0 Fault Value High Byte (Same as A.3.35)	0
10	R/W	00-07	Channel 1 Fault Value Low Byte (Same as A.3.35)	0
11	R/W	00-07	Channel 1 Fault Value High Byte (Same as A.3.35)	0

* Offset 6-11: All values are not stored in Adapter's EEPROM.

A.3.38. ST-4522 (2-voltage analog output, -10~10Vdc, 12bit)

- Memory Register length: 12 bytes
- Memory Register:

Offset	Access	Decimal Bit	Description	Default Value
0	R	00-07	Channel 0 Output Data Low 8 bits	0
1	R	00-03	Channel 0 Output Data High 4 bits	0
		04-07	not used	0
2	R	00-07	Channel 1 Output Data Low 8 bits	0
3	R	00-03	Channel 1 Output Data High 4 bits	0
		04-07	not used	0
4	R	00-07	Reserved	0
5	R	00-07	Reserved	0
6	R/W	00-07	Fault Action (Same as A.3.35)	0
7	R/W	00-07	Reserved	0
8	R/W	00-07	Channel 0 Fault Value Low Byte (Same as A.3.35)	0
9	R/W	00-07	Channel 0 Fault Value High Byte (Same as A.3.35)	0
10	R/W	00-07	Channel 1 Fault Value Low Byte (Same as A.3.35)	0
11	R/W	00-07	Channel 1 Fault Value High Byte (Same as A.3.35)	0

* Offset 6-11: All values are not stored in Adapter's EEPROM.

A.3.39. ST-4622 (2-voltage analog output, 0~5Vdc, 12bit)

- Memory Register length: 12 bytes
- Memory Register:

Offset	Access	Decimal Bit	Description	Default Value
0	R	00-07	Channel 0 Output Data Low 8 bits	0
1	R	00-03	Channel 0 Output Data High 4 bits	0
		04-07	not used	0
2	R	00-07	Channel 1 Output Data Low 8 bits	0
3	R	00-03	Channel 1 Output Data High 4 bits	0
		04-07	not used	0
4	R	00-07	Reserved	0
5	R	00-07	Reserved	0
6	R/W	00-07	Fault Action (Same as A.3.35)	0
7	R/W	00-07	Reserved	0
8	R/W	00-07	Channel 0 Fault Value Low Byte (Same as A.3.35)	0
9	R/W	00-07	Channel 0 Fault Value High Byte (Same as A.3.35)	0
10	R/W	00-07	Channel 1 Fault Value Low Byte (Same as A.3.35)	0
11	R/W	00-07	Channel 1 Fault Value High Byte (Same as A.3.35)	0

* Offset 6-11: All values are not stored in Adapter's EEPROM.

A.3.40. ST-5101 (1 Channel High Speed Counter 5Vdc)

A.3.41. ST-5111 (1 Channel High Speed Counter 24Vdc)

- Memory Register length: 24 bytes
- Memory Register:

Offset	Access	Decimal Bit	Description	Default Value
0	R	00-07	Current count value Low byte	0
1	R	00-07	Current count value Middle byte	0
2	R	00-07	Current count value High byte	0
3	R	00-07	Always 0	0
4	R	00-07	Status Low (compared flags)	0
5	R	00-07	Status High (same as LED display)	0
6	R	00-07	Output Terminal (OT) Control	0
7	R	00-07	SSR(Special Selection Register)	0
8	R/W	00-07	Gate Function/Counter Mode (Same as A.3.36)	0
9	R/W	00-07	Gate Sampling Time/Input Filter (Same as A.3.36)	0
10	R/W	00-07	Don't care	0
11	R/W	00-07	Don't care	0
12	R	00-07	Stored count value Low byte	0
13	R	00-07	Stored count value Middle byte	0
14	R	00-07	Stored count value High byte	0
15	R	00-07	Always 0	0
16	R/W	00-07	Initial Counter Value Low byte (Initial counter or PWM Frequency value)	0
17	R/W	00-07	Initial Counter Value Middle byte (Initial counter or PWM Frequency value)	0
18	R/W	00-07	Initial count value High byte (Initial counter or PWM Frequency value)	0
19	R/W	00-07	Always 0	0

20	R/W	00-07	Compare count value Low byte	0
21	R/W	00-07	Compare count value Middle byte	0
22	R/W	00-07	Compare count value High byte	0
23	R/W	00-07	Always 0	0

* Offset 8-9: All values are not stored in Adapter's EEPROM.